

S-View™ offers day/night surveillance in a unitized system for superb performance in any application, in all conditions.



SPFDW-7 Pressurized Outdoor FusionDome™



SMR-7 Recessed Indoor Ceiling



S-View™ Models Available

OUTDOOR

SFDW-7 Wall mount, 8" dome

SPFD-7 Pendant mount, pressurized, 8" dome

INDOOR

SIFDW-7 Pendant mount, 8" dome

SMR-7 Recessed ceiling mount, 5" dome

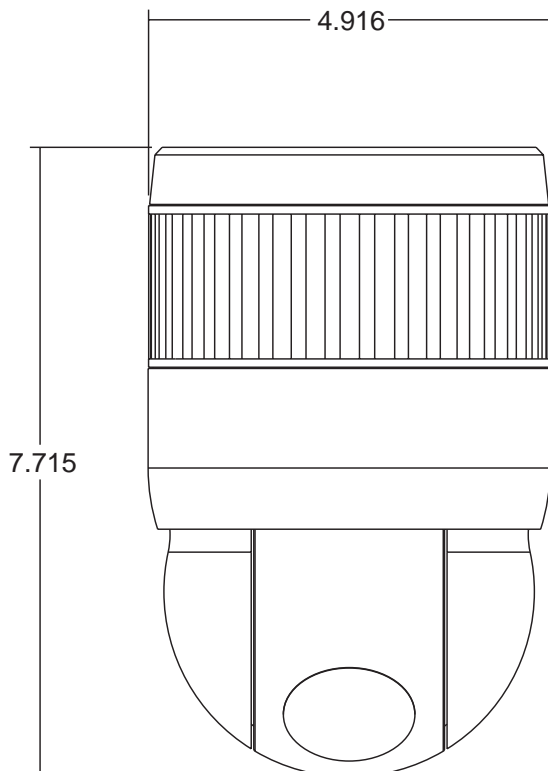
All models available with clear or tinted dome

CAMERA SPECIFICATIONS

- Image sensor: 1/4" Ex-view CD
- Lens: Optical 18x, Digital 12x
- Focal length: f1.4 to 3.0 (f=4.1~73.8mm)
- Min. illumination:
 - 0.7 Lux (normal shutter)
 - 0.15 Lux (1/4 shutter)
 - 0.01 Lux (1/4 shutter, IR cut removal)

PAN/TILT SPECIFICATIONS

- Auto scan capability
- Up to 240 programmable preset positions (including zoom, focus, iris, and more)
- Preset speed for pan and tilt: 400°/sec.
- 360° continuous rotation
- 8 pre-programmed guard tours
- 180° flip over to follow objects
- Variable speed: 0.5°/sec. to 180°/sec (with Turbo Speed)
- 4 privacy zone
- 8 alarm inputs / 4 Aux out programmable



Compatible with Pelco P and Sensormatic RS485 protocol

S-View™ Day/Night P/T/Z