

VANDAL RESISTANT CAMERAS - WS5 Recessed Wall Mount



DESCRIPTION

The WS5 is a recessed wall unit featuring a 12-gauge steel, powder coated front cover. The window is 1/8" thick polycarbonate with a scratch resistant coating and Videolarm's Window Guard™ paint shield. A double gang box with multiple conduit knockouts houses the camera inside the wall. A day/night camera is also available.

FEATURES

- 12-gauge steel front plate, powder coated
- Optional stainless steel or brass finished face plate
- Adjustable camera bracket,
- Window Guard™ paint shield
- 3/4" and 1/2" conduit knockouts in 15-gauge steel double gang box

CAMERA/LENS CHOICES

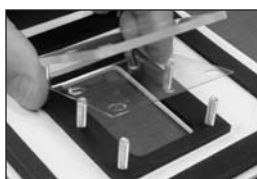
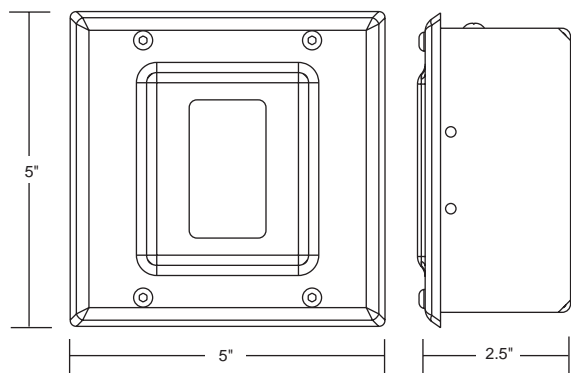
- Standard or hi-res b/w
- Standard or hi res color
- Hi-Res day/night
- 3.6mm and 2.5mm fixed lens included

CERTIFICATIONS



ARCHITECTURAL/ENGINEERING SPECIFICATIONS

The WS5 housing shall include a 15-gauge steel double gang box with multiple 3/4" and 1/2" conduit knockouts. The front cover shall be 12-gauge steel, powder coated in off-white. The viewing window shall be constructed of 1/8" polycarbonate and shall include a scratch resistant coating and Window Guard™ paint shield. A metal mounting bracket shall be included which will allow 15° manual tilt above and below the horizon. Available with standard or hi-res black and white, standard or hi-res color, or hi-res day/night cameras. A factory installed NVT twisted pair module shall be available as an option.



Videolarm's exclusive Window Guard Paint Shield™ helps protect housing windows from vandals using spray paint or paintball guns.

ENVIRONMENTAL SPECIFICATIONS

Temperature Range 0° to 110° F

CAMERA SPECIFICATIONS - see page 29

MECHANICAL SPECIFICATIONS

Cable Entry	3/4" and 1/2" conduits on sides and base of double gang box
Pan/Tilt	Manual; 15° tilt above and below horizon


CONSTRUCTION	12-gauge steel faceplate 1/8" polycarbonate viewing window
FINISH	Off-white powder coat, brass, or stainless steel

DIMENSIONS	
Housing	5" (H) x 5" (W) x 3.75" (D)
Window	2.5" (H) x 1.25" (W)

ELECTRICAL SPECIFICATIONS

Input Voltage	12 - 28 VDC or 15 - 28 VAC Must be a regulated power supply
Current Draw	12 VDC - 350mA; 24 VAC - 202mA
Power Requirements	
Camera	12 VDC - 4.2W; 24 VAC - 4.8W
Video Connector	BNC

FACTORY INSTALLED OPTIONS

-  NVT twisted pair transmitter module (customer must purchase video receiver from NVT)

ADDITIONAL OPTIONS

- WSLP68 - Lens combination pack (6 mm, 8 mm)
- PS12 - 12VDC power supply
- WS3PS - Additional paint shields

SHIPPING SPECIFICATIONS

Model	Unit Weight	Shipping Weight	Shipping Box Dim.
WS5	3 lbs	4 lbs	9 x 9 x 8

* Shipping weights depend on box dimensions.

Product specifications are subject to change without notice.

VANDAL RESISTANT CAMERAS - Camera and Lens Specifications

WARRIOR CAMERA SPECIFICATIONS

	Standard B/W Camera	Hi-Resolution B/W Camera	Standard Color Camera	Hi-Resolution Color Camera	Hi-Resolution Day and Night Camera
Signal System	EIA or CCIR	EIA or CCIR	NTSC or PAL	NTSC or PAL	NTSC or PAL
Imager	1/3" CCD	1/3" CCD	1/3" CCD	1/3" CCD	1/3" CCD
Scanning System	2:1 Interlaced	2:1 Interlaced	2:1 Interlaced	2:1 Interlaced	2:1 Interlaced
Synchronizing System	12 VDC internal	12 VDC internal	12 VDC internal, 24 VAC line lock ²	12 VDC internal, 24 VAC line lock ²	12 VDC internal, 24 VAC line lock ²
Horizontal Resolution	420 TV Lines	570 TV Lines	350 TV Lines	480 TV Lines	480 TV Lines
Signal-to-Noise Ratio	More than 48 dB	More than 48 dB	50 dB or better	50 dB or better	50 dB or better
Minimum Illumination	0.1 Lux (F1.2)	0.08 Lux (F1.2)	0.3 Lux (F1.2)	0.4 Lux (F1.2)	Color - 0.4 Lux (F1.2) B/W - 0.08 Lux (F1.2) Switches to B/W at 1.6 Lux
Video Output	1Vp-p 75 ohm composite	1Vp-p 75 ohm composite	1Vp-p 75 ohm composite	1Vp-p 75 ohm composite	1Vp-p 75 ohm composite
Gain Control	Auto	Auto	ON/OFF selectable dip switch	ON/OFF selectable dip switch	ON/OFF selectable dip switch
Electronic Iris	Auto	Auto	ON/OFF selectable dip switch	ON/OFF selectable dip switch	ON/OFF selectable dip switch
Auto Iris Control	N/A	DC Drive Iris Control w/adjustable level	DC Drive Iris Control w/adjustable level	DC Drive Iris Control w/adjustable level	DC Drive Iris Control w/adjustable level
Switchable Shutter Speed	1/50 1/60 - 1/100,000 sec. (Auto)	1/50 1/60 - 1/100,000 sec. (Auto)	Manual: 1/60, 1/100, 1/1000, 1/100000 dip switch	Manual: 1/60, 1/100, 1/1000, 1/100000 dip switch	Manual: 1/60, 1/100, 1/1000, 1/100000 dip switch
White Balance	N/A	N/A	AWB/Indoor/Outdoor/ATW	AWB/Indoor/Outdoor/ATW	AWB/Indoor/Outdoor/ATW
Flickerless	N/A	N/A	ON/OFF selectable dip switch	ON/OFF selectable dip switch	ON/OFF selectable dip switch
Backlight Compensation	Auto	Auto	ON/OFF selectable dip switch	ON/OFF selectable dip switch	ON/OFF selectable dip switch
Lenses	2.5,3.6,6,8,12,16mm Fixed ³ 4-8mm Fixed Iris Varifocal ¹	2.5,3.6,6,8,12,16mm Fixed ³ 4-8mm Fixed Iris Varifocal ¹ 3.5-8mm Auto-Iris Varifocal ¹	2.5,3.6,6,8,12,16mm Fixed ³ 4-8mm Fixed Iris Varifocal ¹ 4-9mm Auto-Iris Varifocal ¹	2.5,3.6,6,8,12,16mm Fixed ³ 4-8mm Fixed Iris Varifocal ¹ 4-9mm Auto-Iris Varifocal ¹	2.5,3.6,6,8,12,16mm Fixed ³ 4-8mm Fixed Iris Varifocal ¹ 4-9mm Auto-Iris Varifocal ¹

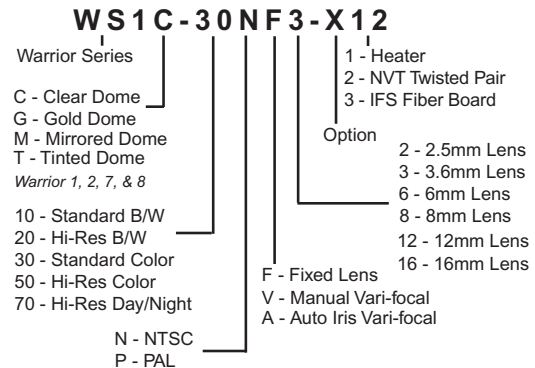
1 - Not available on Warrior 5 and 6 2 - Not available on Warrior Pan/Tilt 3 - Warrior 5 and 6 2.5mm and 3.6mm only

WARRIOR LENS SPECIFICATIONS

FIXED LENSES						
Focal Length	2.5mm	3.6mm	6mm	8mm	12mm	16mm
Format Size	1/3"	1/3"	1/3"	1/3"	1/3"	1/3"
Relative Aperture (F)	2.0	2.0	2.0	2.0	2.0	2.0

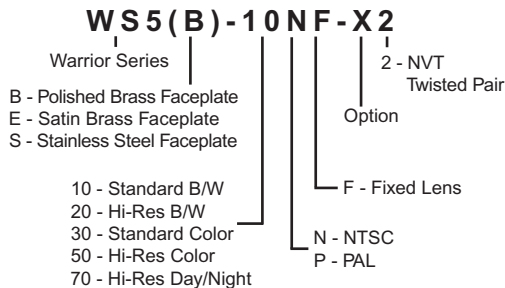
VARIFOCA LENSES		
Focal Length	4-8mm fixed	4-9mm auto iris
Format Size	1/3"	1/3"
Relative Aperture (F)	2 - 2.6	1.6 - 2.4

WARRIOR 1-4, 7-8 MODEL CHART

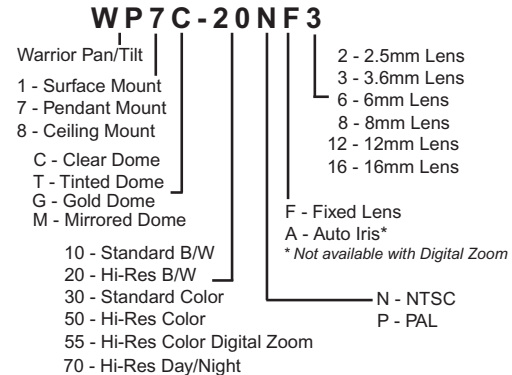


Some options may not be available on all models

WARRIOR 5 AND 6 MODEL CHART



WARRIOR PAN/TILT MODEL CHART



Product specifications are subject to change without notice.

2525 Park Central Blvd • Decatur GA 30035 • 770-987-7550 • www.videolarm.com • info@videolarm.com

