

VANDAL RESISTANT CAMERAS - WS1 Surface Mount Dome



DESCRIPTION

Made from cast aluminum for vandal resistance and environmentally sealed, the WS1 surface mount dome features a polycarbonate dome that will withstand the impact of a 10 lb sledgehammer. It can be used for either indoor or outdoor applications, on ceilings or walls. A day/night camera is also available.

FEATURES

- Heavy-duty cast aluminum construction
- 3-axis camera bracket, allowing 360° pan, 180° tilt
- Environmentally sealed
- Clear or tinted polycarbonate dome with liner
- Tamper-resistant fasteners

CAMERA/LENS CHOICES

- Standard or hi-res b/w
- Standard or hi-res color
- Hi-Res day/night
- Fixed 3.6mm
- Vari-focal 4-8mm
- Auto iris 4-9mm
- Available with pan/tilt/3x digital zoom

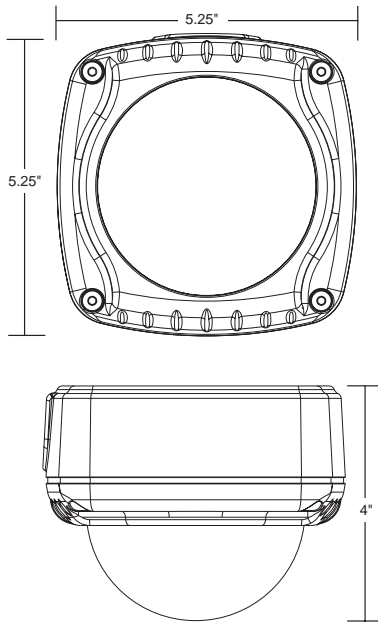
CERTIFICATIONS

Designed for NEMA 4, IP65



ARCHITECTURAL/ENGINEERING SPECIFICATIONS

The WS1 housing shall be manufactured from 3/16" thick cast aluminum with an off-white powder coat finish and shall be environmentally sealed. One 3/4" conduit opening shall be located on a side of the housing and one 1/2" conduit opening shall be located on the back. The dome shall be constructed of 1/8" thick polycarbonate measuring 3.875" in diameter. A liner shall be included, along with a lanyard to keep the dome from dropping when opened for service. A camera bracket with three-way adjustment shall be included. Adjustments shall include 360° pan of the entire bracket, 180° tilt of the lens bracket, and a 90° tilt of the lower portion of the bracket in instances where the entire housing must be mounted at an angle. Available with standard or hi-res black and white, standard or hi-res color, or hi-res day/night cameras; fixed, fixed iris vari-focal or auto iris varifocal lens. A factory installed NVT twisted pair module, IFS fiber transmitter card and 24 VAC heater shall be available as options.



ENVIRONMENTAL SPECIFICATIONS

Temperature Range 0° to 120° F

CONSTRUCTION 3/16" thick cast aluminum
1/8" polycarbonate dome

FINISH Off-white powder coat

DIMENSIONS
Base 5.25" (H) x 5.25" (W) x 4" (D)
Dome 3.875" diameter

CAMERA SPECIFICATIONS - see page 29

MECHANICAL SPECIFICATIONS

Cable Entry One 3/4" threaded side conduit opening
One 1/2" threaded base conduit opening

Pan/Tilt Manual; 360° pan / 180° tilt

ELECTRICAL SPECIFICATIONS



Input Voltage 12 - 28 VDC or 15 - 28 VAC
Must be a regulated power supply

Current Draw 12 VDC - 350mA; 24 VAC - 202mA

Power Requirements
Camera 12 VDC - 4.2W; 24 VAC - 4.8W
Heater 7W (24 VAC only)

Video Connector BNC

FACTORY INSTALLED OPTIONS

-  NVT twisted pair transmitter module (customer must purchase video receiver from NVT)
-  IFS fiber transmitter card (customer must purchase receiver from IFS)
- 24 VAC heater

ADDITIONAL OPTIONS

- WSLP68 - Lens combination pack (6 mm, 8 mm)
- PS12 - 12VDC power supply

SHIPPING SPECIFICATIONS

Model	Unit Weight	Shipping Weight	Shipping Box Dim.
WS1	3 lbs	4 lbs	9 x 9 x 8

* Shipping weights depend on box dimensions.

VANDAL RESISTANT CAMERAS - Camera and Lens Specifications

WARRIOR CAMERA SPECIFICATIONS

	Standard B/W Camera	Hi-Resolution B/W Camera	Standard Color Camera	Hi-Resolution Color Camera	Hi-Resolution Day and Night Camera
Signal System	EIA or CCIR	EIA or CCIR	NTSC or PAL	NTSC or PAL	NTSC or PAL
Imager	1/3" CCD	1/3" CCD	1/3" CCD	1/3" CCD	1/3" CCD
Scanning System	2:1 Interlaced	2:1 Interlaced	2:1 Interlaced	2:1 Interlaced	2:1 Interlaced
Synchronizing System	12 VDC internal	12 VDC internal	12 VDC internal, 24 VAC line lock ²	12 VDC internal, 24 VAC line lock ²	12 VDC internal, 24 VAC line lock ²
Horizontal Resolution	420 TV Lines	570 TV Lines	350 TV Lines	480 TV Lines	480 TV Lines
Signal-to-Noise Ratio	More than 48 dB	More than 48 dB	50 dB or better	50 dB or better	50 dB or better
Minimum Illumination	0.1 Lux (F1.2)	0.08 Lux (F1.2)	0.3 Lux (F1.2)	0.4 Lux (F1.2)	Color - 0.4 Lux (F1.2) B/W - 0.08 Lux (F1.2) Switches to B/W at 1.6 Lux
Video Output	1Vp-p 75 ohm composite	1Vp-p 75 ohm composite	1Vp-p 75 ohm composite	1Vp-p 75 ohm composite	1Vp-p 75 ohm composite
Gain Control	Auto	Auto	ON/OFF selectable dip switch	ON/OFF selectable dip switch	ON/OFF selectable dip switch
Electronic Iris	Auto	Auto	ON/OFF selectable dip switch	ON/OFF selectable dip switch	ON/OFF selectable dip switch
Auto Iris Control	N/A	DC Drive Iris Control w/adjustable level	DC Drive Iris Control w/adjustable level	DC Drive Iris Control w/adjustable level	DC Drive Iris Control w/adjustable level
Switchable Shutter Speed	1/50 1/60 - 1/100,000 sec. (Auto)	1/50 1/60 - 1/100,000 sec. (Auto)	Manual: 1/60, 1/100, 1/1000, 1/100000 dip switch	Manual: 1/60, 1/100, 1/1000, 1/100000 dip switch	Manual: 1/60, 1/100, 1/1000, 1/100000 dip switch
White Balance	N/A	N/A	AWB/Indoor/Outdoor/ATW	AWB/Indoor/Outdoor/ATW	AWB/Indoor/Outdoor/ATW
Flickerless	N/A	N/A	ON/OFF selectable dip switch	ON/OFF selectable dip switch	ON/OFF selectable dip switch
Backlight Compensation	Auto	Auto	ON/OFF selectable dip switch	ON/OFF selectable dip switch	ON/OFF selectable dip switch
Lenses	2.5,3.6,6,8,12,16mm Fixed ³ 4-8mm Fixed Iris Varifocal ¹	2.5,3.6,6,8,12,16mm Fixed ³ 4-8mm Fixed Iris Varifocal ¹ 3.5-8mm Auto-Iris Varifocal ¹	2.5,3.6,6,8,12,16mm Fixed ³ 4-8mm Fixed Iris Varifocal ¹ 4-9mm Auto-Iris Varifocal ¹	2.5,3.6,6,8,12,16mm Fixed ³ 4-8mm Fixed Iris Varifocal ¹ 4-9mm Auto-Iris Varifocal ¹	2.5,3.6,6,8,12,16mm Fixed ³ 4-8mm Fixed Iris Varifocal ¹ 4-9mm Auto-Iris Varifocal ¹

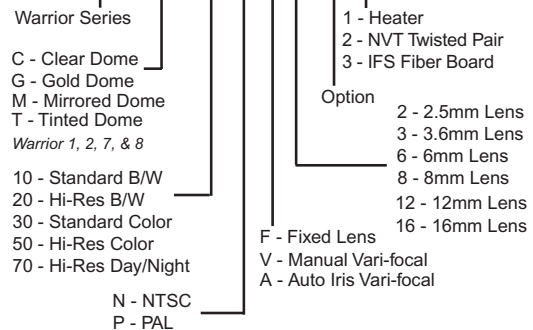
1 - Not available on Warrior 5 and 6 2 - Not available on Warrior Pan/Tilt 3 - Warrior 5 and 6 2.5mm and 3.6mm only

WARRIOR LENS SPECIFICATIONS

FIXED LENSES						
Focal Length	2.5mm	3.6mm	6mm	8mm	12mm	16mm
Format Size	1/3"	1/3"	1/3"	1/3"	1/3"	1/3"
Relative Aperture (F)	2.0	2.0	2.0	2.0	2.0	2.0
VARIFOCA LENSES						
Focal Length	4-8mm fixed	4-9mm auto iris				
Format Size	1/3"	1/3"				
Relative Aperture (F)	2 - 2.6	1.6 - 2.4				

WARRIOR 1-4, 7-8 MODEL CHART

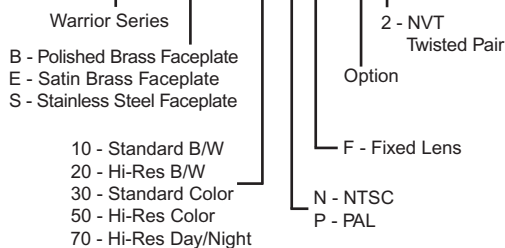
WS1C-30NF3-X12



Some options may not be available on all models

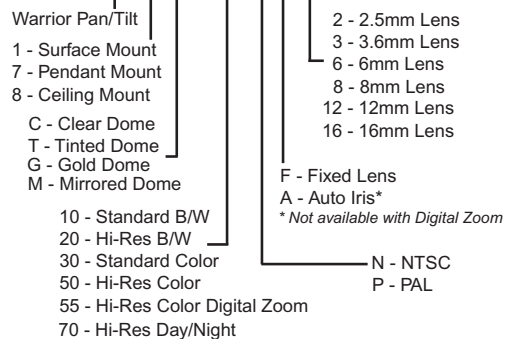
WARRIOR 5 AND 6 MODEL CHART

WS5(B)-10NF-X2



WARRIOR PAN/TILT MODEL CHART

WP7C-20NF3



Product specifications are subject to change without notice.

2525 Park Central Blvd • Decatur GA 30035 • 770-987-7550 • www.videolarm.com • info@videolarm.com

