



## DESCRIPTION

A light-duty scanner motor, the VLSC3 is designed to be used in either indoor or outdoor applications. This motor comes equipped with a maintenance-free coiled cable assembly, which has conductors for video and camera power. The VLSC3 can be ordered separately, or as part of a complete housing system; models MP121CK indoors, MP123TK indoors, SDW12TK outdoors.

## FEATURES

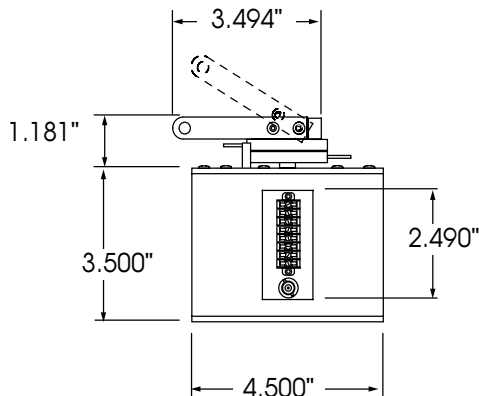
- 355° of rotation with a maximum load rating of 7 lbs
- Continuous heavy-duty motor
- Can be used in conjunction with VLSC24 control in manual or auto scan mode
- No cable fatigue with coiled cable
- Can be wired for continuous pan without controller

## CERTIFICATIONS



## ARCHITECTURAL/ENGINEERING SPECIFICATIONS

The VLSC3 scanner shall be designed for light-duty applications, and shall feature video and power feed-through, autopan, and a maximum load rating of 7 lb (3 kg). It shall operate with an input voltage of 24 VAC. The rotation angle shall be 355° maximum auto scan, with a tilt angle of 70° horizontal.



## MODELS

**VLSC3** - Indoor light-duty scanner, 6° per second panning speed, 7 lb max. load rating, 24 VAC input voltage. Video and camera power feed through contained in one coiled cable.

**VLSC3W** - VLSC3 with black wall mount

## COMPATIBLE UNITS

**VLSC24** - Single-station scanner control. For use with VLSC3 scanner.

**VLC2** - Single-station pan/tilt control. For use with VIDEOLARM and other 24 VAC pan/tilts.

**VLC3** - Single-station pan/tilt and auto iris zoom lens control. For use with VIDEOLARM and other 24 VAC pan/tilts. Supplies power to 6 or 12 VDC zoom lens.

**VLC36** - Six-station 24 VAC pan/tilt/zoom hardwire controller. Rubberized key switches. Six-segment LED display. Screw-type connectors for individual camera installation and removal. Autopan for pan/tilt equipped devices.

## ELECTRICAL SPECIFICATIONS

**Pan** - 355°

**Tilt angle** - ± 70°

**Switches** - Mechanical

**Speed** - 6° per/second

**Max. Load** - 7 lbs ( 3 kg )

**Construction** - All aluminum body

**Power Source** - 24 VAC, 60/50 Hz

**Power Consumption** - 5.5 watts

**Temperature Range** - From 32° F to 122° F (0° c to 50° C)

**Cable Requirement** - 4 conductor, non-shielded. Requires separate camera power.

## SHIPPING SPECIFICATIONS

Model	Unit Weight	Shipping Weight	Shipping Box Dim.
VLSC3	5 lbs	5 Grd/5 Air	14 x 11 x 8

\* Shipping weights depend on box dimensions.