

BRACKETS - Side Wall Roof Bracket SRM1500 / Pole Mount SMW1



DESCRIPTION

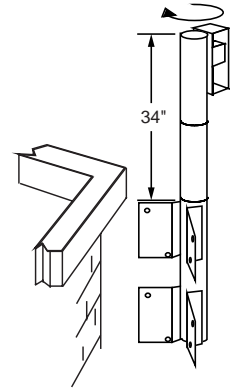
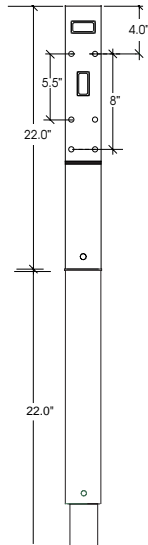
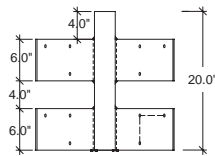
The SRM1500 is a three-piece heavy-duty bracket that secures directly to the corner of a building. It can also be mounted to a flat wall by using the SMW1 bracket. The camera can be easily serviced by rotating the unit back in over the roof. The SRM1500 includes a pre-drilled mounting plate and cable access holes, and accepts VIDEOLARM type brackets.

FEATURES

- Raises camera above roof line
- Durable powder coat finish
- Heavy-gauge steel for maximum stability
- Housing serviced in upright position
- 150 lb load rating

OPTIONS/ACCESSORIES

SMW1 - Flat wall adapter. 150 lb maximum load.



SHIPPING SPECIFICATIONS

Model	Unit Weight	Shipping Weight	Shipping Box Dim.
SRM1500	65 lbs	65 Grd/ 65 Air	22 x 22 x 16

* Shipping weights depend on box dimensions.

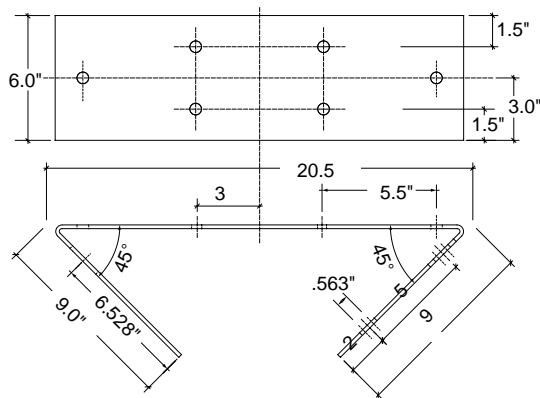


DESCRIPTION:

This flat wall adapter kit for the SRM1500 is designed to allow installation of the SRM1500 on the outside, flat wall of a parapet. Included are two brackets for upper and lower mating pieces.

FEATURES:

- Durable powder coat finish
- Heavy-gauge steel for maximum stability
- Designed for easy installation
- 150 lb load rating



SHIPPING SPECIFICATIONS

Model	Unit Weight	Shipping Weight	Shipping Box Dim.
SMW1	26 lbs	26 Grd/26 Air	22 x 14 x 9

* Shipping weights depend on box dimensions.