



DESCRIPTION

The SMR-7 recessed ceiling mount dome gives great CCTV surveillance for almost any indoor application. The dome, available clear or tinted, sits just 2.5" below the ceiling, and the housing features a plastic trim ring. Our S-View™ unitized pan/tilt/zoom camera offers day/night capability in a 1/4" EX-View CCD camera, 360° continuous rotation, and more.

FEATURES CAMERA

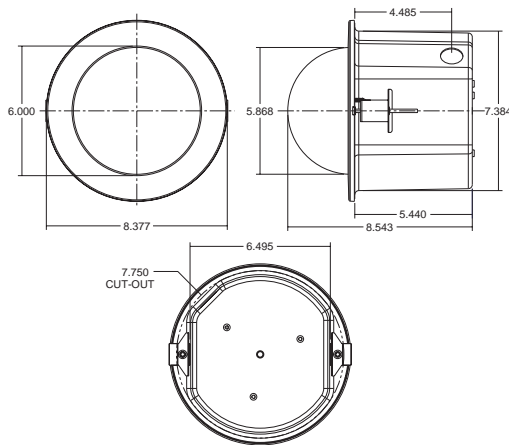
- Up to 240 programmable preset positions
- 360° continuous rotation, Variable speed to 180°/sec
- 180° flip over
- 18x optical, 12x digital zoom lens
- 8 pre-programmed guard tours
- 8 alarm inputs
- Compatible with Pelco P and Sensormatic RS485 protocol
- IR sensitive in night mode

ENCLOSURE

- 5" dome for easy installation and servicing from below the ceiling
- Clear or tinted dome extends only 3" below ceiling
- Includes a snap-on decorative trim ring
- Plenum rated metal top

ARCHITECTURAL/ENGINEERING SPECIFICATIONS

The unit shall be a recessed ceiling mount dome housing. The camera shall be a color unitized pan/tilt/zoom capable of 360° continuous rotation at up to 180°/second, and shall be capable of 180° flip over. The lens shall be 18x optical and 12x digital. Features of the system shall include 240 programmable presets, 8 pre-programmed guard tours, and 8 alarm inputs. The camera shall be compatible with Pelco P or Sensormatic RS485 protocols. It shall also be capable of infra-red sensitivity in night mode. The body shall be manufactured from stamped metal and shall be held in place with two spring clips, capable of being installed in its entirety from below the ceiling. The lower acrylic dome will be free-blown using cell-cast clear or tinted acrylic (1 F-stop light reduction for tinted lower dome). A trim ring shall be included, and shall be constructed of ABS plastic. A fixed camera bracket shall also be included.



CAMERA SPECIFICATIONS

Image Sensor: 1/4" Ex-view CD
 Lens: Optical 18x, Digital 12x
 Focal Length: f1.4 to 3.0
 (f=4.1~73.8mm)
 Min. Illumination: 0.7 Lux (normal shutter)
 0.15 Lux (1/4 shutter)
 0.01 Lux (1/4 shutter, IR cut removal)
 PAL Type - Low shutter speed 1/3 sec.

ELECTRICAL SPECIFICATIONS

Power Input - 24 VAC
Power Consumption
 Camera - 22 watts

MECHANICAL SPECIFICATIONS

Size: 8.5" (H) x 8.4" (Diameter)
 Weight: 10 lbs.
 Construction:
 Body: Stamped metal
 Dome: Cell-cast acrylic
 Trim Ring: ABS plastic
 Mounting: 2 Spring clips for mounting in ceiling

SHIPPING SPECIFICATIONS

Model	Unit Weight	Shipping Weight	Shipping Box Dim.
SMR-7	10 lb	11 lb	15 x 15 x 12

* Shipping weights depend on box dimensions.