

SM75

Vandal-Resistant Surface Mount Dome



Mount Upwards Towards the Sky

The SM75 has the added benefit to be mounted towards the sky for more focalized monitoring; a silicone cover protects and seals the dome.

As an added feature, with an included silicone rubber cover, the SM75 may also be mounted facing towards the sky, ideal for monitoring air traffic for small municipality airports.

Videolarm's SM75 series not only offers superior protection against vandalistic attacks, but is capable of being mounted either facing down or towards the sky.

Constructed out of a rugged cast aluminum top and meeting IP66 standards, the SM75 has been designed to be mounted flush against most surfaces. Available in a wide range of options including heater/blower devices and camera brackets for fixed or PTZ, the SM75 is a versatile housing unit perfect for parking garages, bridges and over pass applications.

- *Housing able to mount flush against most surfaces, facing down or towards the sky (optional wall mount available WMSM7)*
- *Rugged, vandal-resistant construction: cast aluminum top*
- *Security fasteners provided with dome trim-ring and hardware covers*
- *Silicone rubber cover seals housing from the prevention of foreign objects when mounted upwards facing the sky*
- *Indoor and outdoor models available. Outdoor models include heater / blower devices.*
- *Meets IP66 standards*
- *Universal camera mounting brackets for fixed or PTZ IP camera systems*

SM75

Outdoor and Indoor models for both Fixed and PTZ cameras:

Outdoor Model for PTZ Camera:

SM75C2N: IP Network Ready, vandal resistant outdoor surface mount housing. Clear dome, w/24Vac input, heater/blower, for an IP Network PTZ camera, 120 to 24Vac transformer.

Outdoor Model for Fixed Camera:

SM75CF2N: IP Network Ready, vandal resistant outdoor surface mount housing. Clear dome, w/24Vac input, heater/blower, for an IP Network fixed camera, 120 to 24Vac transformer.

SM75CF2: Vandal resistant outdoor surface mount housing. Clear dome, w/24Vac input, heater/blower, for fixed cameras.

Tinted and Clear Domes available for all models Change: "C" - Clear or "T" - Tinted

Mounting brackets are included and can accommodate most of today's popular cameras. To view an up-to-date listing of compatible cameras please visit www.videolarm.com/thirdparty.jsp

PTZ Compatible Cameras:

ACTi: CAM-6500

Axis: 213, 214, 215, 231D, 232D

Canon: VB-C50iR, VC-C50iR, VC-C4R

DLink: DCS 6600 Series, DCS 5000 Series

Elmo: PTC-401C IP, PTC-400C, PTC-400C, PTC-200C

JVC: VN-C30U, VN-C625U, VN-C655U, TK-625U

Indoor Model for PTZ Camera:

ISM75CN: IP Network Ready, vandal resistant indoor surface mount housing. Clear dome, no electronics, for an IP Network PTZ camera.

Indoor Model for Fixed Camera:

ISM75CFN: IP Network Ready, vandal resistant indoor surface mount housing. Clear dome, no electronics, for an IP Network fixed camera.

ISM75CF2: Vandal resistant indoor surface mount housing. Clear dome, no electronics, for fixed cameras.



Panasonic: BB-HCM381, WV-NS202, KX-HCM280A, BB-HCE481A, BB-HCM580A, BB-HCM581A

PiXORD: 261, 262, 263

Sony: SNC-RZ25, SNC-RZ30, SNC-RZ50

Toshiba: IK-WB21A

Vivotek: PZ6112

Fixed Cameras:

Accepts camera and lens up to 7.5" in length.

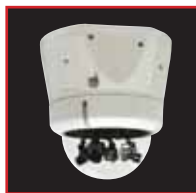
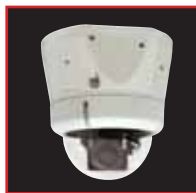
SView™ and Q-View™ Camera Systems:

SView Camera System:

SM7CN-9: Videolarm's own PTZ camera system capable of MPEG-4 & MJPEG video format, 230x Zoom (23x Optical and 10x digital), 18 presets, and 30/25 FPS @Full D1. Indoor & Outdoor models available.

QView Multiple Camera:

QSMC_-ONA: A multi-camera system without the need of pan/tilt devices. Up to 4 cameras (Hi-res Color or Day/night Cameras). Indoor & Outdoor models available.



Optional Components and Accessories:

EOC1N

High-Speed Ethernet over Coax - converting analog video (co-ax) into high-speed Ethernet

CWKFD2

24Vac Cold Weather Kit for an additional heater and blower For Outdoor Domes in extremely cold weather

SPVRJ01

Data/Power Over Ethernet Power/Data Surge Protection

WMSM7

Wall mount for SM75 housing

Mechanical Specifications

Size:	11.4" x 11.2" x 11.6" (292 x 287 x 297 mm)
Weight:	13 lbs (6.0 kg)
Construction	Body: Cast Aluminum
Trim Ring:	Cast Aluminum
Dome:	OptiClear™ polycarbonate

Electrical Specifications

Power requirements:	24vac, 80 watts
(Network Outdoor Models)	
(Standard Outdoor Models)	24vac, 52 watts (excluding camera)

Environmental Specifications

Operating Temperature:	-20° F to 120° F (Outdoor Models) (-20° C to + 50° C)
Heater activates at:	60° F (15° C)
Heater activates at:	60° F (15° C)
Effective Projected Area (EPA):	Approx. 0.12 m ²
Operating Humidity:	Up to 100%

Shipping Specifications

Model	Shipping Weight	Box Dimensions
SM75	21 lbs	19 x 17 x 13

Certifications and Ratings



CUL Listed



RoHS



NEMA 4x Rating



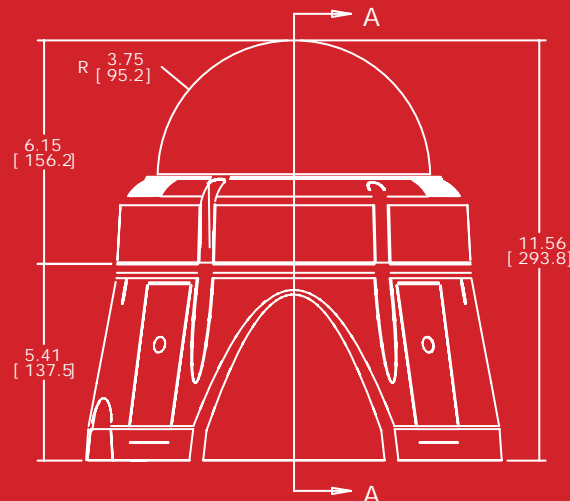
UL Listed



WEEE



IP66 Rating



For full product specs, go to www.videolarm.com and use the search engine to navigate to a specific product page.