



SPFDC-7 shown with optional WM20G wall mount

DESCRIPTION

Videolarm's new S-View™ unitized pan/tilt/zoom camera is available for outdoor or indoor applications. The SFDWC-7 is our standard wall mount outdoor model (available as a pendant mount), the SPFD-7 is our pressurized pendant mount version, and the SIFDPC-7 is the indoor pendant mount model (available as a wall mount model). All models feature clear or tinted domes. Both the SFDWC-7 and SPFD-7 feature a heater/blower as standard equipment.

FEATURES

CAMERA

- Up to 240 programmable preset positions
- 360° continuous rotation, Variable speed to 180°/sec
- 180° flip over
- 18x optical, 12x digital zoom lens
- 8 pre-programmed guard tours
- 8 alarm inputs
- Compatible with Pelco P and Sensormatic RS485 protocol
- IR sensitive in night mode

ENCLOSURES

- Durable engineered plastic top, 94V0, outdoor and pressurized models are also UV protected
- Standard wall mount with the SFD-7 outdoor model
- The SFD-7 is lab certified at IP66 and is designed to meet NEMA 4X for water ingress
- The SPFD-7 is lab certified at IP67 and is designed to meet NEMA 4X for water ingress, with a temperature rating -50° standard
- The SIFD-7 is designed to meet NEMA 1 for falling dirt ingress and IP66
- Available in wall or pendant mount (Pressurized model pendant mount only)

ARCHITECTURAL/ENGINEERING SPECIFICATIONS

The camera shall be a color unitized pan/tilt/zoom capable of 360° continuous rotation at up to 180°/second, and shall be capable of 180° flip over. The lens shall be 18x optical and 12x digital. Features of the system shall include 240 programmable presets, 8 pre-programmed guard tours, and 8 alarm inputs. The camera shall be compatible with Pelco P or Sensormatic RS485 protocols. It shall also be capable of infra-red sensitivity in night mode.

For standard outdoor applications the camera shall be housed in an SFD-7 wall mount enclosure. Blowers and thermostatically controlled heaters shall be included. Units shall be available with 24 VAC inputs. The housing top shall be manufactured from high-impact engineered plastic, UV protected, with a UL flame rating of 94V0. The dome shall be made of thermoformed, optically clear, cell-cast acrylic, and shall be held in place with 3 captive fasteners. Both clear and tinted domes shall be available. A safety cable shall be provided to hold the dome while servicing.

For pressurized outdoor applications the camera shall be housed in an SPFD-7 pressurized pendant mount enclosure. The pipe thread for the pendant shall be shall be 1.5" in diameter. Blowers and thermostatically controlled heaters shall be included. Units shall be available with 24 VAC inputs. A secondary O-ring seal shall be provided at the top of the enclosure through a precision machined bracket. This machined bracket shall also be provided with a 3 to 5 psi pressure-relief valve and a standard bore thread dill valve to insert inert dry nitrogen into the enclosure. All incoming wires will enter the unit via a 10-pin hermetically sealed connector. A quick-release bracket will be provided at the top of the unit for ease of installation and quick removal of the unit. The housing top shall be manufactured from high-impact engineered plastic, UV protected, with a UL flame rating of 94V0. The dome shall be made of thermoformed, optically clear, cell-cast acrylic, and shall be held in place with 9 captive fasteners, used to press the dome against the sealing O-ring. Both clear and tinted domes shall be available. A safety cable shall be provided to hold the dome while servicing.

For indoor applications the camera shall be housed in a pendant or wall mount SIFD-7. The pipe thread for the pendant shall be shall be 1" in diameter. The housing top shall be manufactured from high-impact engineered plastic. The dome shall be made of thermoformed, optically clear, cell-cast acrylic, and shall be held in place with 3 captive fasteners. Both clear and tinted domes shall be available. A safety cable shall be provided to hold the dome while servicing.

(Continued on next page)

UNITIZED PAN/TILT/ZOOM - S-VIEW™ SFD, SPFD, SIFD Dome

1A

Unitized Pan/Tilt/
Zoom Camera

MECHANICAL SPECIFICATIONS

Size (hxwxd): 12.8" x 11.4" x 16.1"

Weight:

SFDWC-7 and SIFDPC-7: 10 lbs.

SPFDC7: 11 lbs.

Construction:

Top: .125" engineered plastic

Dome: Cell-cast acrylic

Mounting:

SFDWC-7: WM12 cast aluminum wall bracket standard

SIFDPC-7: 1" pipe thread

SPFDC-7: 1.5" pipe thread

Components:

Seals: .136" x 10.25" O-ring (SFDWC-7 and SPFDC-7)

.136" x 4.5" O-ring (SPFDC-7 only)

SPFD-7 only:

Pressure Relief Valve: 3 - 5psi

Schraeder Valve: Nitrogen input

Power Connectors

(power/video/controls): 10-pin Souriau, hermetically sealed

CAMERA SPECIFICATIONS

Image Sensor: 1/4" Ex-view CD

Lens: Optical 18x, Digital 12x

Focal Length: f1.4 to 3.0

(f=4.1~73.8mm)

Min. Illumination: 0.7 Lux (normal shutter)

0.15 Lux (1/4 shutter)

0.01 Lux (1/4 shutter, IR cut removal)

PAL Type - Low shutter speed 1/3 sec.

ENVIRONMENTAL SPECIFICATIONS

Operating Temperature:

Standard -20° F to +120° F

With Cold Weather Kit -50° F to +120° F

Heater activates at +40° F (+/-8°), deactivates at +60° F (+/-8°)

Effective Projected Area (EPA): Approx. 180 square inches

Operating Humidity: Up to 100%

ELECTRICAL SPECIFICATIONS

Standard 24 VAC 48 watts (excluding camera)

Pressurized 24 VAC 75 watts (excluding camera)

MODELS

SFDWC-7 - Outdoor wall mount unit with day/night unitized pan/tilt with 360° continuous rotation, 18x optical and 12x digital zoom, clear or tinted 8" lower dome, UV protected engineered plastic top, standard wall mount, and heater/blower

SPFDC-7 - Pressurized version of the SFDWC-7, pendant mount

SIFDPC-7 - Indoor pendant mount unit with day/night unitized pan/tilt with 360° continuous rotation, 18x optical and 12x digital zoom, clear or tinted 8" lower dome, engineered plastic top

OPTIONS

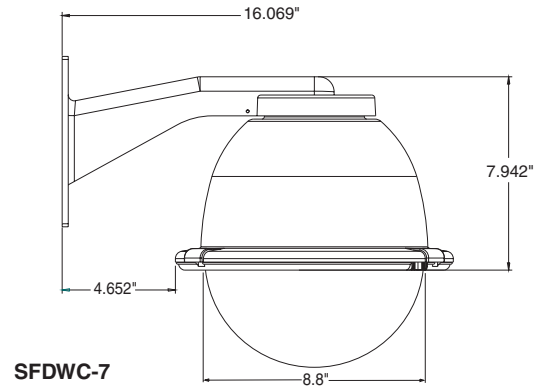
ACA2 - Aluminum corner mount adapter

APM3 - Aluminum existing pole mount adapter

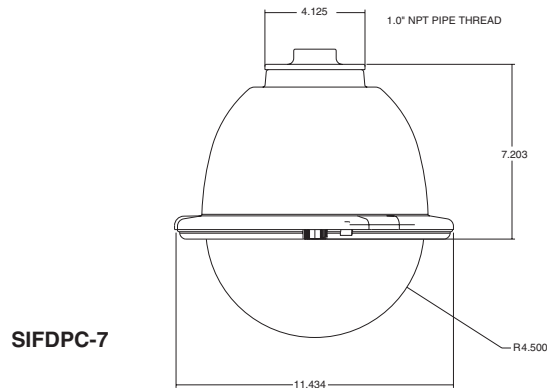
PRM30G - Aluminum extended parapet mount

WM20G - Gooseneck wall mount

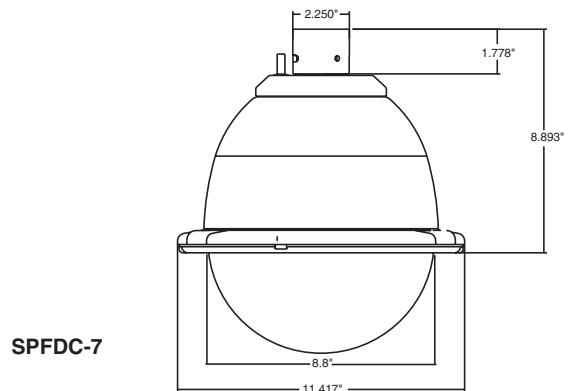
WM30G - Aluminum parapet mount



SFDWC-7



SIFDPC-7



SPFDC-7

SHIPPING SPECIFICATIONS

Model	Unit Weight	Shipping Weight	Shipping Box Dim.
SFDWC-7	10 lbs	11 lbs	17 x 14 x 17
SPFDC-7	10 lbs	11 lbs	17 x 14 x 17
SIFDPC-7	10 lbs	11 lbs	17 x 14 x 17

* Shipping weights depend on box dimensions.