

# STANDARD OUTDOOR DOMES - RH7 Rugged Dome



## DESCRIPTION

The RH7 outdoor 7" rugged dome offers vandal resistant protection in a compact size. It accepts unitized camera systems from Videolarm and other manufacturers, as well as network cameras or a single fixed camera/lens package of not more than 5.5" length. The RH7 is also available with an optional 24 VAC heater and blower.

## CERTIFICATIONS

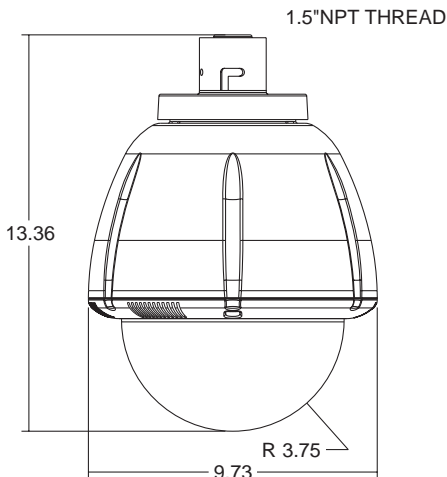
- Designed to meet NEMA 4X for water ingress and IP56
- Pendant mount version IP66

## FEATURES

- Rugged, vandal resistant, painted cast aluminum top
- Vandal resistant polycarbonate lower dome
- Standard wall mount, pendant mount available
- Accepts unitized camera systems from Videolarm and other manufacturers
- Camera/lens package of not more than 5.5" length
- Available with optional heater/blower
- Available as an S-View™ model with unitized pan/tilt/zoom camera, as a Q-View™ model with up to four cameras or for Network Cameras

## ARCHITECTURAL/ENGINEERING SPECIFICATIONS

The RH7 vandal resistant dome shall be an outdoor housing available in either wall or pendant mounted versions. The rugged RH7 shall be designed to accommodate unitized camera systems by Videolarm or other manufacturers such as Sensormatic/AD, and Pelco, network cameras, and fixed cameras with camera/lens package not to exceed 5.5" in length. A heater/blower combination shall be available, effective in temperature ranges from -40° F to +120° F. The heater shall be thermostatically controlled. Units will be available with 24 VAC inputs. The housing top shall be manufactured from durable cast aluminum. The dome shall be from injection molded, optically clear, polycarbonate, and shall be held in place with (3) fasteners, and a sealing O-ring shall be included. A safety cable shall be provided to hold the dome while servicing. Access to the enclosure shall be from below.



## MECHANICAL SPECIFICATIONS

Size (h x w x d):	13.36" x 9.73" x 9.73"
Weight:	6.5 lbs
Construction:	
Top:	.125" cast aluminum
Dome:	.100 polycarbonate
Wall Mount Bracket:	WM10 cast aluminum wall bracket standard.

## MODELS

**RH7** - Wall mount, clear dome, and universal mounting plate for unitized camera systems

**RH7HB** - RH7 with 24 VAC heater/blower

**RH7F** - Same as RH7 but with fixed camera bracket (6" MCL)

**RH7FHB** - RH7F with 24 VAC heater/blower (6" MCL)

**RH7N** - Same as RH7 but with mounting plates for network camera systems

**RH7NHB** - RH7N with 24 VAC heater/blower

**NOTE:** Tinted dome available separately (Part number RCTR7)

## ENVIRONMENTAL SPECIFICATIONS

Operating Temperature:	-40° F to + 120° F
Heater activates at +40° F (+/- 8°), deactivates at +60° (+/- 5°)	
Effective Projected Area (EPA):	Approx. 180 sq. in.
Operating Humidity:	Up to 100%

## ELECTRICAL SPECIFICATIONS

Standard	24 VAC	52 watts (excluding camera)
----------	--------	-----------------------------

## SHIPPING SPECIFICATIONS

Model	Unit Weight	Shipping Weight	Shipping Box Dim.
RH7		Call manufacturer for information	

\* Shipping weights depend on box dimensions.