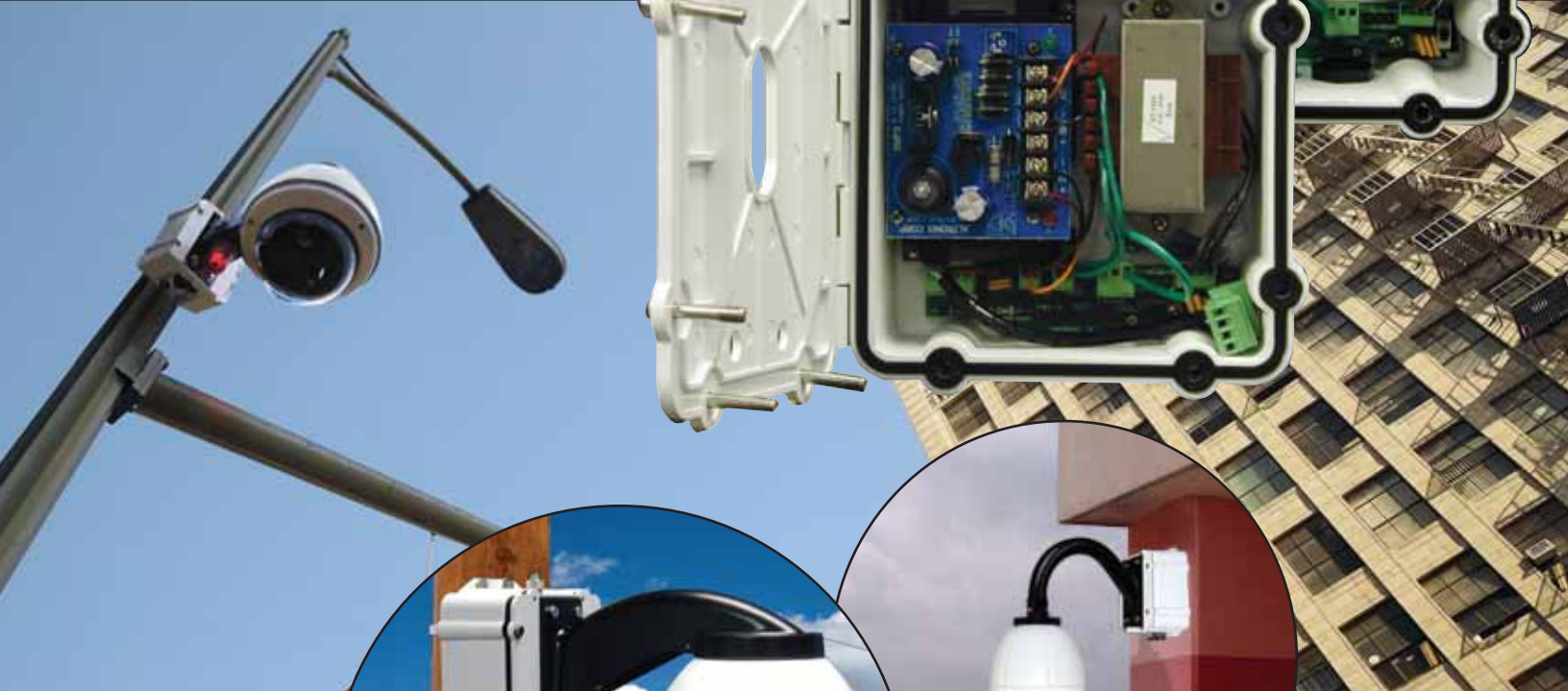


# PB24/BB

Rugged Aluminium  
IP66 Power Boxes



Videolarm's outdoor power boxes, PB24 Series, provide an economical solution for providing your video security cameras with electrical current.

Constructed of a rugged cast aluminum NEMA box enclosure, the PB24 Series has been designed to complement Videolarm's Fusion Dome and Vandal-Resistant Rugged Housings by simply bolting to the wall mount back.

Available in either a standard version or battery backup model, which provides up to 25 minutes of extended power when nearby power is interrupted, the PB24 Series is an ideal accessory for enhancing your video security system.



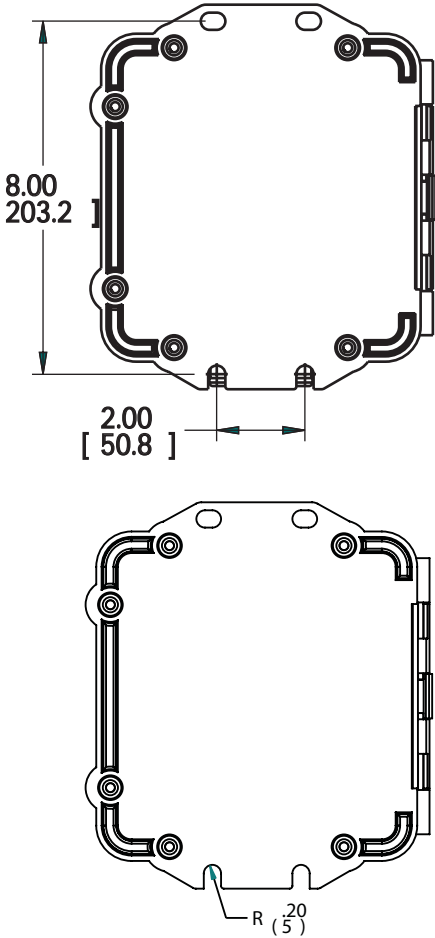
- Rugged cast aluminum NEMA 4 enclosure
- Meets IP 66 standards to prevent the induction of minute particles
- Designed for direct conduit connections
- Complements Videolarm outdoor camera housings
- Provides 4 amps of power at 24Vac
- Battery backup model (PB24BB) provides up to 25 minutes of extended power, 12Vdc Cameras
- Pole mounting clips included
- Options include video and power surge protection

# PB24 / BB

## Two models: Standard & Battery Backup

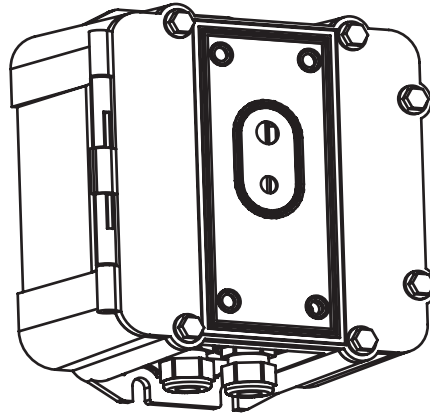
### PB24 Outdoor Power Box:

**PB24:** Rugged cast aluminum power box with 220/115Vac input converting to 24Vac and 96w output power. Pole mounting clips included.

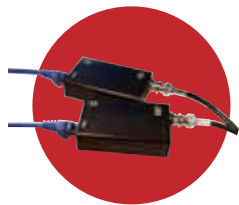


### PB24 Outdoor Power Box w/ Battery Backup:

**PB24BB:** Rugged cast aluminum power box PB24 plus battery backup. Provides up to 25 minutes of extended power. Pole mounting clips included. Use with 12Vdc Cameras.



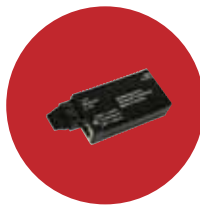
## Optional Components and Accessories:



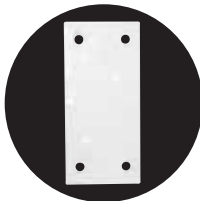
**EOC1N**  
High-Speed Ethernet over Coax - converting analog video (co-ax) into high-speed Ethernet



**SPVP110**  
Power Surge Protection (110Vac)



**EOF2N**  
Ethernet over Fiber



**PBCP**  
PB24 Power Box Cover Plate



**SPVRJ01**  
Data/Power Over Ethernet Power/Data Surge Protection

## Mechanical Specifications

**Size:** 8.75" x 7.5" x 3.81"  
(222.3 x 190.5 x 96.8mm)

**Weight:** 10 lbs (4.54 kg)

**Construction Back Box:** Rugged cast aluminum

## Environmental Specifications

**Operating Temperature:** -40° F to 122° F  
(-40° C to + 50° C)

## Electrical Specifications

**Power Input:** 120Vac or 240Vac, 50/60 Hz

**Power Output:**  
PB24 96va (96 watts)  
PB24BB 12Vdc (30 watts)

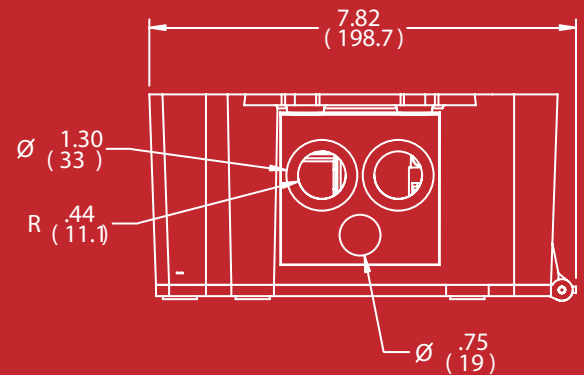
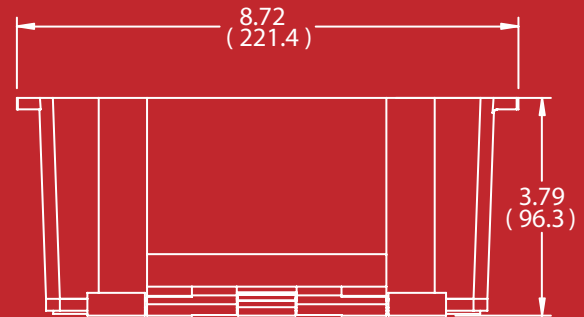
**Power Consumption:** 1Amp (120 watts) at 120Vac

**Camera Power:** 32 watts

**Heater/Blower Power:** 52 watts

## Shipping Specifications

Model	Shipping Weight	Box Dimensions
PB24/BB	10.5 lbs (4.8kg)	8 x 12 x 12" 203 x 305 x 305mm



For full product specs, go to [www.videolarm.com](http://www.videolarm.com) and use the search engine to navigate to a specific product page.