

# CCTV POLES - Standard Pole P1600/P1800



\* Housing not included

## DESCRIPTION

The P1600 is a heavy duty, 16', square steel pole designed to accept cameras and housings from a wide variety of manufacturers. It's constructed from 4" x 4" x .25" tubing, and comes complete with access panels on top and bottom. A 20" transformer base is available, raising the pole height to 18'.

## FEATURES:

- Durable powder coat finish
- Raises camera 15 feet
- Heavy-gauge steel for maximum stability
- Supports up to 200 lbs
- Optional 20" aluminum transformer base includes NEMA box, terminal strip, 115 transformer and surge protection

## ARCHITECTURAL/ENGINEERING SPECIFICATIONS

The P1600 shall be constructed of heavy-gauge steel with a powder coat finish. It shall be capable of a maximum load of 200 lbs. The dimensions shall be 16' H x 4" W x 4" D. Two access openings shall be included, one on the lower end and one on the upper end. The P1800 shall include a 20" transformer base. Its dimensions shall be 20" H x 12" W x 12" D. The base shall include a NEMA box with terminal strip, 115 transformer, and surge protection.

## MODELS

- P1600** - Standard 16' steel pole
- P1800** - P1600 with 20" transformer base with NEMA box, terminal strip, 115 transformer, and surge protection
- P1800TB** - P1800 without NEMA box.

## OPTIONS

- PV4** - Anchor jig
- PV6** - Bracket to mount two Infrared Illuminators to all poles
- WM1A** - Adapter plate for WM800, to work with all poles
- WM20G** - Aluminum gooseneck wall bracket for mounting Pelco, AD, Philips, Panasonic, Sensormatic, Kalatel and other manufacturers' domes to all poles.
- WM800** - Wall bracket for mounting Videolarm's ACH13 or other manufacturers' standard camera housings to all poles.
- WM2400** - Wall bracket for mounting two Videolarm ACH13s or other manufacturers' standard camera housings to all poles.

## APPLICATIONS

- Parking lots
- Warehouses
- Truck terminals
- Cargo areas
- Jails and prisons

## SHIPPING SPECIFICATIONS

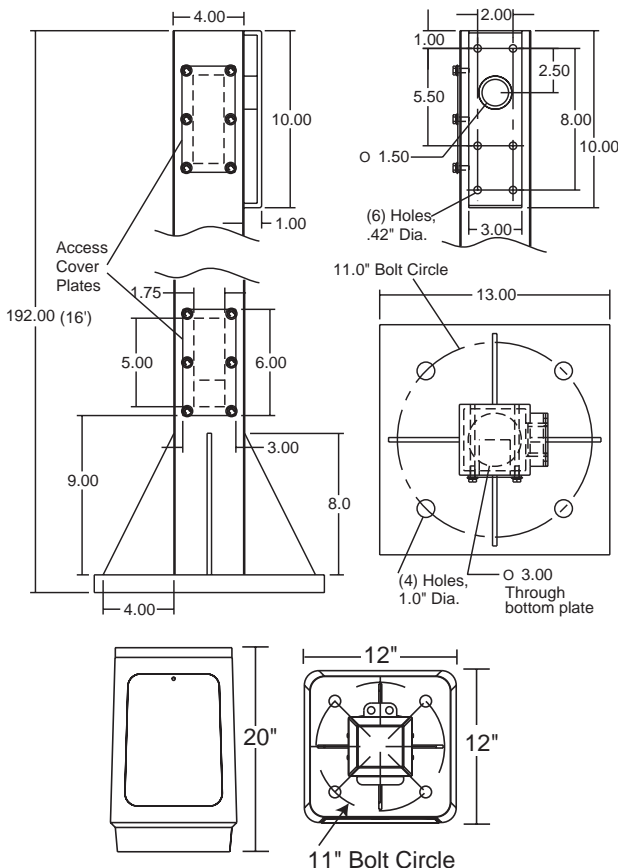
Model	Unit Weight	Shipping Weight*	Shipping Box Dim.
P1600	250 lb.	250 lb.	16' x 12" x 12"
P1800	250 lb.	250 lb.	16' x 12" x 12"

\* Shipping weights depend on box dimensions.

### THE P1800 ALSO INCLUDES THE FOLLOWING ITEMS, SEPARATELY BOXED

Terminal Base	34 lb.	34 lb.	**
NEMA Box	10 lb.	10 lb.	**

\*\*Call Videolarm for complete dimensional information on separately boxed items



Transformer Base

Product specifications are subject to change without notice.

2525 Park Central Blvd • Decatur GA 30035 • 770-987-7550 • www.videolarm.com • info@videolarm.com

