

## DESCRIPTION

Our rugged outdoor pan/tilt and camera package allows CCTV perimeter protection in a variety of applications. Cameras are day/night, infrared sensitive with 18x zoom, and are protected by a tubular housing that can be ordered in a pressurized or dust-proof model. The tough pan/tilt features an integral receiver/driver with RS232 or RS485 input. Optional infrared illuminators allow nighttime viewing in no-light conditions.



With AP8 housing and optional IR illuminators

## PRODUCT FEATURES

- Outdoor medium-duty pan/tilt with integral multi-protocol receiver/driver with selectable RS232 or 485 input
- Day/night IR sensitive camera with 18x zoom, factory wired
- Low wind resistance, 3.8" diameter tubular housing, available pressurized or dust-proof
- Heater/window defroster
- 360° continuous rotation and 355° pan/tilt models available
- Auto tour with 64 presets
- One alarm input or auxiliary output
- Optional sunshield and infrared illuminators
- May be used either upright or inverted

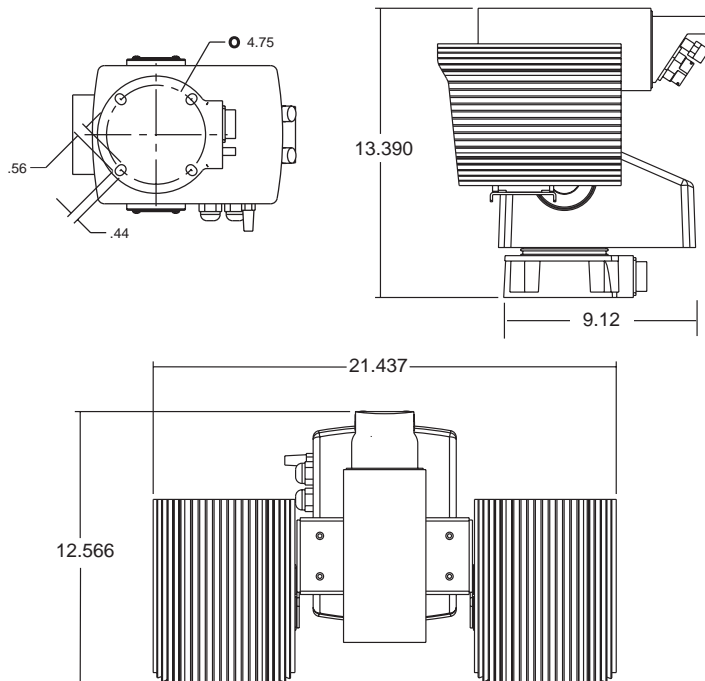
## CERTIFICATIONS

- Designed to meet FCC Part 15 requirements
- Pan/tilt tested to meet IP54 requirements

## ARCHITECTURAL/ENGINEERING SPECIFICATIONS

The outdoor pan tilt shall consist of a cast aluminum base and yoke, and shall include a corrosion resistant plastic cover. Included hardware shall be stainless steel. Units shall be capable of supporting up to 22 lbs. of weight. An on board receiver/driver shall be included, supporting Cohu or NTCIP protocol. Pan range for standard models shall be 355°; for continuous pan models the range shall be 360°, and the pan speed shall be 7°/sec. The tilt shall be from +30° to -90° from horizontal at 3.5°/sec. The drive shall consist of heavy-duty, permanently lubricated bushings and ball bearings. A 24-pin connector and BNC connector shall be included on the base. All units have been tested to meet IP54 requirements, to withstand temperature ranges from -22° F to + 140° F, and to withstand vibration (maximum 3 g swept sine wave, 15 Hz to 2000 Hz) and shock (maximum) 50 g, 11 ms, 1/2 sine. This outdoor pan/tilt may be used either upright or inverted. (NOTE: For inverted outdoor installations the unit must be enclosed in a weatherproof enclosure).

The camera enclosure shall be either a dust-proof or pressurized model, tested to meet IP67 requirements. It shall be constructed of extruded aluminum, with aluminum read end and front caps. The viewing window shall be .120" thick glass, optically clear, heat treated. Operating temperatures shall be -22° to +122° F. Pressurized housings shall contain a single corrosion resistant connector for power, video, and external sync, and a mating connector shall be provided for the camera. The housings shall be fitted with a standard Schraeder valve for pressurization with 5 lbs. positive pressure of dry nitrogen. An over pressurization safety relief valve shall be mounted on each unit. Dust-free housings shall include three liquid tight fittings (2 NPT 1/2" and 1 NPT 3/8") for cable entry.



(Continued on next page)

# OUTDOOR PAN/TILT - SECURITY SURVEILLANCE MODELS

## CAMERA

Image sensor	¼" Type, IT, EXView HAD CCD
Signal Format	NTSC
Number of effective pixels	Approx. 380,000 pixels 768 (H) x 494 (V) active pixels
Horizontal Resolution	470 TV (H) lines - 350 TV (V) lines
Lens	18x zoom, f=4.1 mm (wide) to 73.8 mm (tele), F1.4 to F3.0
Digital zoom	12x (216x with optical zoom)
Angle of view (H)	48° (wide end) to 2.7° (tele end)
Sync. system	Line Lock, using zero crossover method, with phase adjustments
Minimum illumination	
Color	0.7 lux (F1.4, normal shutter speed)
B&W	0.01 lux (1/4 sec shutter, IR cut removal)
S/N ratio	50 dB
Electronic shutter	1/1 to 1/10,000's
White Balance (WB)	Auto, ATW, Indoor, Outdoor
Gain	Auto/Manual
Iris Control	Automatic Iris Control with manual override, automatic shutdown with power loss
Back-light compensation	On/Off
Privacy Zone Masking	On/Off
Flickerless	Auto
Focusing system	Auto, manual
Low Light IR Mode	Auto

## GENERAL

Construction	
Pan/tilt	Cast aluminum base and yoke, corrosion resistant plastic cover, stainless steel hardware
Enclosure	Extruded aluminum housing, aluminum rear end & front cap
Finish	White powder coat
Viewing Window	.120" (3 mm) thick glass, optically clear, heat treated
Operating Temperature	-22° to 122° F (-30° to 50° C)
Weather Resistance	
Pan/tilt	Tested to IP54 requirements
Enclosure	Tested to IP67 requirements
Weight	
Pan & tilt/camera/enclosure	17 lbs (7.7 kg)
Enclosure only	3 lbs (1.4 kg)
Vibration	3g swept sine wave,
Shock	50g, 11ms, 1/2 sine

## MECHANICAL

Pan Movement	
Standard models	355° Continuous pan rotation
Continuous models	360° Continuous pan rotation
Vertical Tilt	-30° to +90°
Mounting Orientation	Can be mounted upright or upside down
Pan Speed	7°/sec
Tilt Speed	3.5°/sec
Load Capacity	22 lbs., or 10 ft-lbs of torque
Drives	Heavy-duty, permanently lubricated bushings and ball bearings

## ELECTRICAL

Input Voltage	24 VAC, 50/60 Hz
Input Voltage	Range ±10%
Power Consumption	40 vA (Pan/Tilt, Enclosure, Camera)
Heater/Defroster	Thermostatically controlled, 10 watts
Electrical Connections	
Power/control	24-pin connector on the base
Video	BNC connector on the base
Enclosure	
Pressurized	16 pin hermetically sealed connector
Dust-Proof	2 liquid type strain reliefs
Protocols	Videolarm 485 (Cohu), Pelco P, others (Check with factory)

## MODELS

- PT55ACH8-7** - Outdoor Pan/Tilt, with presets, 355 pan, 22 lb capacity, 18x Day/Night camera, Aluminum Environmental Housing
- PT55D8-7** - Outdoor Pan/Tilt, with presets, 355 pan, 22 lb capacity, 18x Day/Night camera, Dust-proof Housing
- PT55P8-7** - Outdoor Pan/Tilt, with presets, 355 pan, 22 lb capacity, 18x Day/Night camera, Pressurized Housing
- PT60ACH8-7** - Outdoor Pan/Tilt, with presets, 360 pan, 22 lb capacity, 18x Day/Night camera, Aluminum Environmental Housing
- PT60D8-7** - Outdoor Pan/Tilt, with presets, 360 pan, 22 lb capacity, 18x Day/Night camera, Dust-proof Housing
- PT60P8-7** - Outdoor Pan/Tilt, with presets, 360 pan, 22 lb capacity, 18x Day/Night camera, Pressurized Housing

## OPTIONS AND ACCESSORIES

- ACA2** - Aluminum corner mount adapter
- APM3** - Aluminum pole mount adapter
- IR30/IR50/IR100/IR200** - Illuminators in ranges from 30m (100 ft) to 200m (660 ft)
- PS24** - 120 (60 hz) input, 24 VAC, 8 amp output, UL-listed power supply with indoor metal enclosure
- PT-IRK** - IR Illuminator, adapter kit, (IR lights not included)
- VLAY8** - Aluminum Sunshield for AP/AD8
- VLC485** - RS485 controller
- WMPT14** - Heavy-Duty Wall mount for Outdoor PTZ