

PENDANT MOUNT DOMES - ObservaDome™ OP123/163



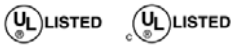
DESCRIPTION

This indoor pendant mount discreet domed housing features a black ABS top and drop in liner. It's designed for fixed cameras situations.

FEATURES

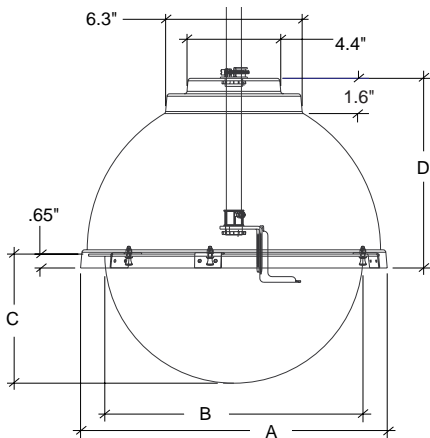
- Complete with a black rugged ABS top, tinted or clear lower dome, and drop-in liner with pre-cut viewing window
- Full 360° viewing capability
- Position of camera hidden, even with background lighting
- Comes with adjustable swivel head for mounting fixed camera
- Works well with color cameras
- Approximately 1 F-stop light reduction with tinted domes
- 12" or 16" dome
- Space for up to 4 fixed cameras
 - OP123 - 8" - 1 camera / 7" - 2 cameras
 - 5" - 3 cameras/ 4" - 4 cameras
 - OP163 - 12" - 1 camera / 8" - 2 cameras
 - 6" - 3 cameras/ 5" - 4 cameras

CERTIFICATIONS



ARCHITECTURAL/ENGINEERING SPECIFICATIONS

OP123TL/CL and OP163TL/CL pendant mount series shall be a 12" or 16" diameter indoor pendant housing with a .188" black ABS plastic top. One adjustable swivel head camera bracket, made of 12- and 18-gauge steel (for mounting fixed cameras), and a black plastic opaque liner with a pre-cut viewing window will be included. A tinted lower dome (1 F-stop light reduction) or a clear lower dome, each made of .100" thick cell-cast acrylic, with full 360° viewing capability, will be also included. An optional MCB4 multiple camera bracket shall be available for mounting up to four fixed cameras. (1" EMT conduit or 3/4" pipe, not included)



Model	A	B	C	D
OP123	14.25"	12"	6"	8"
OP163	18.36"	16"	8"	10"

MODELS

OP123CL - 12" diameter indoor pendant housing with one fixed camera bracket, liner with pre-cut viewing window, and clear lower dome. (1" EMT conduit or 3/4" pipe, not included)

OP125D - Dummy Dome version of OP123TL

OP163CL - 16" diameter indoor pendant housing with one fixed camera bracket, liner with pre-cut viewing window, and clear lower dome. (1" EMT conduit or 3/4" pipe, not included)

NOTE: Replace "C" with "T" in model number for tinted dome (1 F-stop light reduction).

OPTIONS/ACCESSORIES

MCB4 - Metal base with three additional fixed camera brackets

NOTE: The OP series of housings uses a **1" EMT conduit or 3/4" pipe (not included)**. Because of the small diameter of the pipe, small diameter coax wire (such as RG179) must be used for applications of three or four cameras per housing.



(Shown with multiple cameras)

NOTE: The MCB4 must be purchased separately for multi-camera applications.

SHIPPING SPECIFICATIONS

Model	Unit Weight	Shipping Weight	Shipping Box Dim.
OP123	12 lbs	30 Grd/60 Air*	23 x 23 x 22
OP163	13 lbs	30 Grd/60 Air*	23 x 23 x 22

* Shipping weights depend on box dimensions.