



DESCRIPTION

The **VideoKit™ OH08-5A** is a general purpose ceiling mount fixed camera system. It's lightweight and economical, designed to replace a 2' x 2' ceiling tile, and features a white body with tinted 8" dome. The camera is hi-res color with 2.8-12mm auto iris lens. A dust cover is included to protect the camera.

FEATURES

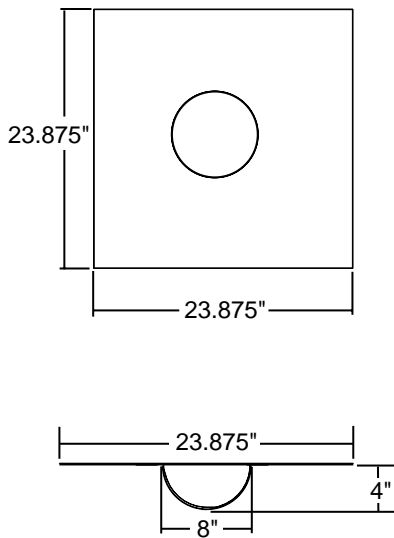
- Hi-res color camera with 2.8-12mm auto iris lens
- Replaces a 2'x2' ceiling tile
- Cell-cast acrylic tinted dome (1 F stop light reduction)
- Low profile, dome extends only 4" below ceiling line

CERTIFICATIONS

- Complies with Part 15 of the FCC Rules

ARCHITECTURAL/ENGINEERING SPECIFICATIONS

The OH081TL-5A shall be formed from cell-cast acrylic and be designed to replace a 2' x 2' ceiling tile. The dome shall be 8" in diameter, tinted, with 1 F stop light reduction, and shall be integral within the body of the unit. The body shall be white. A fixed, hi-res color camera shall be included, with a 2.8-12mm auto iris lens. The camera shall have a horizontal resolution of 460 TV lines, with a minimum illumination of 1.2 Lux in normal mode and 0.8 Lux in hi gain mode at F1.2.



MODELS

OH081TL-5A - Indoor ceiling mount fixed camera system with hi-res color camera, 2.8-12mm auto iris lens, 24 VAC input

ELECTRICAL SPECIFICATIONS

Power Input - 24 VAC

Power Consumption

Camera - 5 watts (208mA)

CAMERA SPECIFICATIONS - see page 40

SHIPPING SPECIFICATIONS

Model	Unit Weight	Shipping Weight	Shipping Box Dim.
OH08-5A	1 lb	2 Grd/2 Air	12 x 10 x 7

* Shipping weights depend on box dimensions.



CAMERA SPECIFICATIONS

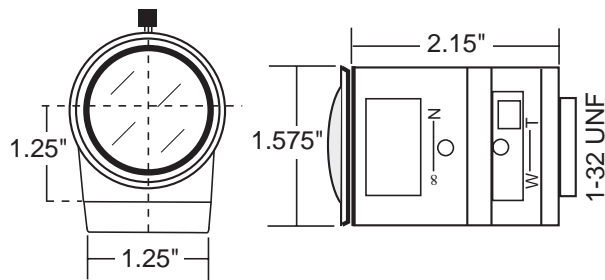
- Power Input - 24 VAC
- Image Sensor - Interline 1/3" Sony Super HAD CCD
- Scanning System - 2:1 Interlaced
- Sync System - Internal/Linelock (Switchable)
- Horizontal Resolution - 460 TV Lines
- Signal to Noise Ratio - 48db or more (AGC off)
- Minimum Resolution (F1.2) - 1.2 Lux Normal Mode
0.8 Lux Hi Gain Mode
- Gain Control - Automatic
- Backlight Compensation - Center Zone Detection (on/off switchable)
- White Balance - Automatic/Hold (push lock)
- Dimensions - 1.9" (H) x 1.9" (W) x 3.3" (L)

Super HAD CCD is a registered trademark of Sony Corporation

LENS SPECIFICATIONS

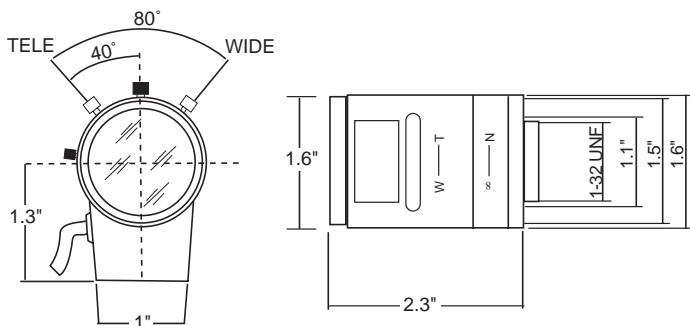
2.8 - 12mm Lens

- Focal Length - 2.8 to 12mm
- Iris Range - F1.4 to 360
- Iris Operation - Auto Iris
- Focus Operation - Manual
- Diameter - 1.57"
- Length - 2.2"



5 - 50mm Lens

- Focal Length - 5 to 50mm
- Iris Range - F1.4 to 185
- Iris Operation - Auto Iris
- Focus Operation - Manual
- Diameter - 1.7"
- Length - 2.3"



Neither the camera nor lens is available as a separately ordered item