



DESCRIPTION

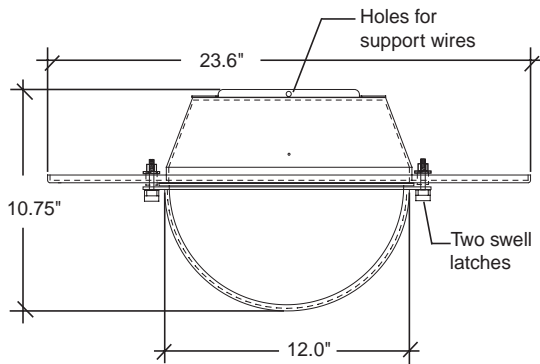
The 0124 is an indoor discreet 12" dome housing designed to replace a 2' x 2' ceiling tile. The top of the housing, constructed from fire-rated ABS plastic, is completely enclosed. Servicing is done by detaching the lower dome, which is secured by a safety wire attached to the upper body. The unit accepts one or two standard body cameras which can be easily accessed through the removable dome.

FEATURES

- Comes complete with liner for total discreet viewing
- Accepts one or two standard body cameras
- Lightweight fire retardant plastic body
- Clear or distortion free tinted dome available (1 F-stop light reduction)
- Works well with both color and black and white cameras
- Can be serviced from below ceiling
- Also available as a Q-View™ model with up to four cameras

ARCHITECTURAL/ENGINEERING SPECIFICATIONS

The O124CL housing shall come complete with a fire retardant plastic top, one fixed camera bracket, black opaque liner and 12" clear or tinted lower dome. The plastic top shall be supported by a galvanized bracket, which shall contain a cable strain relief and receptacles for a maximum of two fixed cameras. The lower dome shall also house an inner liner for total discreet viewing. A safety wire shall be used to secure the lower dome to the upper body when servicing the internal components.



MODELS

- O124CL** - 12" diameter indoor fire-rated housing with fixed camera bracket, liner, and clear lower dome.
- O124TL** - 12" diameter indoor fire-rated housing with fixed camera bracket, liner, and tinted lower dome (1 F-stop light reduction).
- O125D** - Dummy dome for O124TL housing (no mounting bracket)

OPTIONS/ACCESSORIES

- FM2** Fixed camera bracket

NOTE: If the application calls for more than one camera in the unit, an additional FM2 bracket will need to be purchased for each additional camera.

SHIPPING SPECIFICATIONS

Model	Unit Weight	Shipping Weight	Shipping Box Dim.
O124CL/TL	12 lbs	30 Grd/70 Air	29 x 29 x 16

* Shipping weights depend on box dimensions.