

# RECESSED CEILING MOUNT DOMES - Microdome™ MR5



## DESCRIPTION

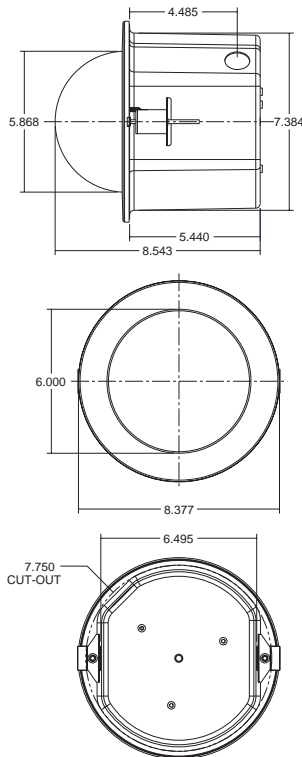
The MR5 is our compact, low profile recessed indoor ceiling dome. It features a 5" dome, which accommodates standard body fixed cameras up to 5" in length. An opaque liner is standard to hide the direction of the camera in both the clear and tinted domes. The upper body is made of steel, and a white powder coat trim ring gives the MR5 a clean, streamlined look.

## FEATURES

- 5" dome for easy installation and servicing from below the ceiling
- Housing extends only 2.5" below ceiling
- Includes a snap-on decorative trim ring
- Includes a fixed mount camera bracket
- Accepts standard body fixed camera and lens (up to 8" in length)
- Includes a decorative trim ring with quick-release pressure springs
- Plenum rated metal top
- Units available with either clear or tinted domes
- Also available as an S-View™ or a VideoKit™ model with camera

## ARCHITECTURAL/ENGINEERING SPECIFICATIONS

The recessed ceiling mount dome housing shall be a VIDEOLARM model MR5 or equivalent and shall be capable of installation in sheetrock or drop ceilings. The body shall be held in place in the ceiling with two spring clips. The body shall be manufactured from stamped metal and be capable of being installed in its entirety from below the ceiling. The lower acrylic dome will be free-blown using cell-cast clear or tinted acrylic (1 F-stop light reduction for tinted lower dome). An opaque liner with pre-cut viewing window will hide the direction of the camera in both the clear and tinted domes. A trim ring shall be included, and shall be constructed of ABS plastic. A fixed camera bracket shall also be included.



## MODELS

MR5T - Indoor recessed ceiling housing, tinted cell-cast acrylic dome, decorative trim ring, 5" MCL

NOTE: Change "T" to "C" for clear dome

## SHIPPING SPECIFICATIONS

Model	Unit Weight	Shipping Weight	Shipping Box Dim.
MR5	10 lbs	10 Grd/14 Air	15 x 15 x 12

\* Shipping weights depend on box dimensions.