

PENDANT MOUNT DOMES - MiniPan™ MP123/163



DESCRIPTION

The MP123/163 is a series of indoor dome housings. Each is attractively designed, and features a white ABS plastic upper body, cast aluminum mount, and a fixed camera bracket. Units come with a choice of either clear or tinted (1 F-stop light reduction) lower domes. Options include an integral pan/tilt, which can be ordered with 360° continuous rotation feature, presets and receiver/driver. An inner liner is also available.

FEATURES

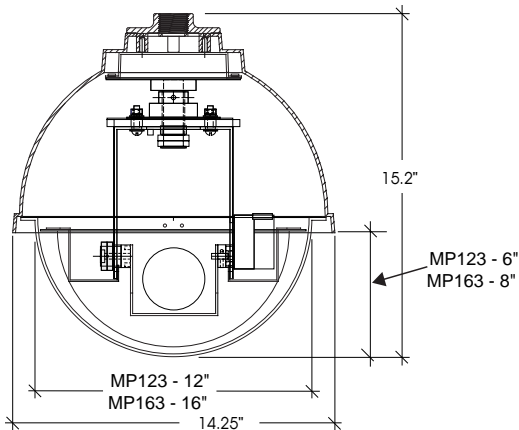
- MP123 model can be ordered with integral scanner
- Pan/tilt options include presets, continuous 360° rotation, and integral receiver/driver
- Optional inner liner for maximum concealment even with background lighting or clear dome
- Works well with color cameras
- MP163 ideal for a maximum of 2 fixed cameras
- Pendant or wall mount

CERTIFICATIONS



ARCHITECTURAL/ENGINEERING SPECIFICATIONS

The top portion of each unit in the MiniPan™ pendant/wall housing system shall be formed from 3/16" white ABS plastic. The pendant housing bracket shall be cast aluminum, powder coated black for long life. A wall mount shall also be available. The lower dome shall be attached to the top portion of the housing with tamper resistant fasteners and a stainless steel lanyard, which shall be used to secure the dome while internal components are being serviced. Each housing shall accept a scanner, integral pan/tilt, or multiple fixed cameras.



MODELS

- MP123C** - Indoor pendant housing with fixed camera bracket, clear lower 12" dome, and mounting hardware (1" ID pipe not provided)
- MP163C** - Indoor pendant housing with fixed camera bracket, clear lower 16" dome, and mounting hardware (1" ID pipe not provided)
- MP123CSR** - MP123CSR/12 with CoaxLynx™ receiver and presets
- MP163CSR** - MP163CSR/12 with CoaxLynx™ receiver and presets
- MP123CSX** - MP123C with continuous 360° rotation pan/tilt
- MP163CSX** - MP163C with continuous 360° rotation pan/tilt
- MP123CSXR** - MP123CSX and CoaxLynx™ receiver
- MP163CSXR** - MP163CSX and CoaxLynx™ receiver
- MP123CZXL** - Pendant housing with continuous 360° rotation pan/tilt, integral pre-wired 125° per/second RS485 variable speed pan/tilt unit with presets, clear lower dome with liner.
- MP163CZXL** - Pendant housing with continuous 360° rotation pan/tilt, integral pre-wired 125° per/second RS485 variable speed pan/tilt unit with presets, clear lower dome with liner.
- MP123/CUXL** - MP123CZXL with factory installed, internal UTC receiver/driver. For use with CoaxLynx™ receiver
- MP163/CUXL** - MP163CZXL with factory installed, internal UTC receiver/driver. For use with CoaxLynx™ receiver
- MP125D** - Dummy pendant housing with tinted opaque lower dome, no camera bracket.

* All models are available with liner

NOTE: Replace "MP" with "MPW" for wall mount models
Replace "C" with "T" for tinted dome (1 F-stop light reduction)

WIRING REQUIREMENTS FOR VLPT355/360 PAN/TILT

Gauge	Maximum Distance		VLC200 CoaxLynx™
	VLC2/3 Hardwire Control Single Common	VLC2/3 Hardwire Control Double Common	
12			665
14			429
16	480	960	260
18	300	600	162
20	180	400	100
22	120	250	63

(Continued on next page)

OPTIONS/ACCESSORIES

WM12 - Wall mount

VLC2 - Single station pan/tilt control

VLC3 - Single station pan/tilt and auto iris zoom lens control

VLC200T - UL-listed pan/tilt, scanner, switcher control for desktop

FM1 - Fixed camera bracket

VLSC24 - Scanner control

NOTE: If the application calls for more than one camera in the unit, an additional FM1 bracket will need to be purchased for each camera.



(Shown with multiple cameras)

SHIPPING SPECIFICATIONS

Model	Unit Weight	Shipping Weight	Shipping Box Dim.
MP123	15 lbs	30 Grd/60 Air	23 x 23 x 22
MP163	15 lbs	30 Grd/60 Air	23 x 23 x 22

* Shipping weights depend on box dimensions.