

RECESSED CEILING MOUNT DOMES - MicroDome™ M7/12

DESCRIPTION

MicroDome™ housings are designed for indoor use. The compact, recessed design allows cameras to be placed in suspended or sheetrock ceiling applications. All units have flame-resistant upper bodies. The domes are sized for most solid state cameras and fixed lenses, with a maximum camera/lens length of 8" for the M7 and 11" for the M12.

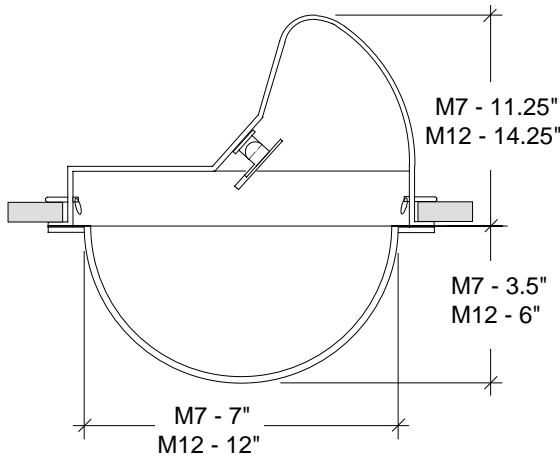


FEATURES

- Small 7" and 12" tinted or clear dome housings are perfectly sized for interior applications
- Models M7 and M12 have a flame-resistant plastic upper body
- All housings come complete with a clear or tinted dome (1 F-stop light reduction)
- Attractively designed for easy installation and servicing
- M7 shipped complete with liner and M12 shipped complete with silk-screened dome and pre-cut viewing window

ARCHITECTURAL/ENGINEERING SPECIFICATIONS

MicroDome™ housings shall be pre-assembled with a fixed camera bracket. The components shall be totally enclosed to protect against dust and debris. Each unit shall be designed for use in fixed camera applications when recessed into a suspended or a sheet rock ceiling. For suspended ceilings, the housing will rest on a grid tile, and support holes will be provided for added suspension strength. The upper body shall be manufactured from 94VO flame retardant ABS plastic. Domes shall be 7" (M7) or 12" (M12), manufactured from clear or tinted cell cast acrylic (1 F-stop light reduction), with pre-cut viewing window. Maximum camera/lens length shall be 8" for the M7 and 11" for the M12.



Model	A	B	C
OP123	7"	11.25"	3.5"
OP163	12"	14.25"	6"

MODELS

M7CL - 7" MicroDome™ recessed housing, manufactured from 94VO plastic. Includes one fixed camera bracket, clear lower dome and mounting hardware. The upper body is manufactured from black plastic.

M7TL - 7" MicroDome™ recessed housing, manufactured from 94VO plastic. Includes one fixed camera bracket, tinted lower dome (1 F-stop light reduction) and mounting hardware. The upper body is manufactured from black plastic.

M7D - M7T dummy dome. No camera bracket.

M12C - 12" MicroDome™ recessed housing, manufactured from 94VO plastic. Includes one fixed camera bracket, clear lower dome and mounting hardware. The upper body is manufactured from black plastic.

M12T - 12" MicroDome™ recessed housing, manufactured from 94VO plastic. Includes one fixed camera bracket, tinted lower dome (1 F-stop light reduction) and mounting hardware. The upper body is manufactured from black plastic.

M12D - M12T dummy dome. No camera bracket.

SHIPPING SPECIFICATIONS

Model	Unit Weight	Shipping Weight	Shipping Box Dim.
M7	3 lbs	3 Grd/3 Air	12 x 12 x 12
M12	6 lbs	6 Grd/6 Air	17 x 17 x 17

* Shipping weights depend on box dimensions.