



DESCRIPTION

The bullet resistant DeputyDome™ is available in either a standard or pressurized model. The day/night color camera features an integral zoom lens. An integral pan/tilt with 360° continuous rotation is also included. Each DeputyDome™. Each unit comes with a quick-connect wall mount.

FEATURES

Standard

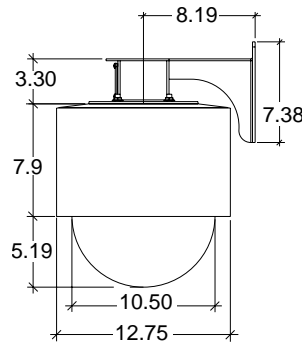
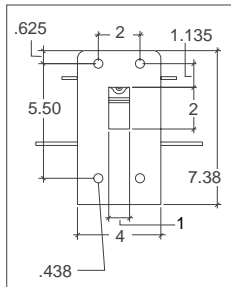
- Day/Night Sony EXView HAD™ color camera with integral 18X optical zoom lens
- 360° continuous rotation pan/tilt (1-40° panning speed, 1-30° tilt speed)
- 63 presets
- Input voltage 24/120/220 VAC 50/60 Hz
- An on-board transformer for 120/220 VAC models to provide 24 VAC power to the blower and camera. The heaters will be 120/220 VAC respectively
- Stainless steel housing and mounting bracket
- Rotating “turret” transfers ballistic impact to outer steel housing
- Heater, blower and surge protection standard equipment
- Quick disconnect from wall mount for installation and servicing
- Tamper-resistant fasteners
- Receiver compatible with Videolarm’s VLC485 and other RS485/422 protocols

Pressurized Units

- Sealed, nitrogen pressurized dome eliminates moisture, dust, insects, and exhaust fumes
- Dry nitrogen eliminates fogging and build-up of condensation
- Standard size Schraeder for easy nitrogen charging
- 18-pin hermetically sealed connector

CERTIFICATIONS

Patented/US6,354,749 B1



MECHANICAL SPECIFICATIONS

Size - (h*w*d) 16.5" x 14.5" x 12.75" Weight - 65 lbs

Construction – Stainless steel

Rotating liner – Heat treated aluminum

Dome - Cell-cast acrylic

Wall mount bracket - 10-gauge powder coated stainless steel

Pressurized models

Pressure relief valve - 5 psi

Schraeder valve - Nitrogen input

Power connector - 18 pin hermetically sealed

ARCHITECTURAL/ENGINEERING SPECIFICATIONS

The ballistic-rated dome housing shall be a Videolarm DDW10CR or PDDW10CR. Models include a standard housing, which is designed to meet an IP65 rating, and pressurized model which is designed to meet an IP67 rating. The pressurized models shall be capable of withstanding a total of 5 psi of nitrogen gas injected through a standard sized Schraeder valve located inside the access cover of the wall mount. Designed to be charged with 5 lbs positive pressure of dry nitrogen, the housing eliminates the effects of moisture, dust, insects, and corrosive exhaust fumes on the camera. A pressure relief valve will provide an escape for pressure exceeding 5 psi. An 18-pin hermetically sealed connector, located at the top of the pressurized housing, shall provide power, video, and control functions. All housings shall be designed and constructed to meet or exceed a Level 1 protection per UL standard 752. The upper housing shall be constructed from 3/16"-thick stainless steel tubing, with machined 3/8"-thick stainless steel top and lower plates. A ballistic rotating liner will be constructed from 3/16" hardened aluminum alloy. The floating liner will rotate with the pan/tilt to protect all internal components. The liner shall be attached to the pan/tilt in such a way that, when hit by a ballistic object, all force will be transferred to the housing, thereby protecting the pan/tilt. Another 3/16" thick, hardened aluminum shield will be used to protect the viewing slot that is cut into the rotating liner. This shield shall rotate with the tilting motion of the camera. The viewing window shall be constructed from Lexgard® MR-750 3/4" bullet-resistant plastic and shall be attached to the protective shield. The housing will come standard with a heavy-duty wall mount bracket. The mounting bracket will have an access plate for easy connection of all wiring. Tamper-resistant security screws will be included for the access plate, lower dome, and the quick-release between the mounting bracket and housing body. A protective opening in the upper housing shall allow for entry of all control and power cables into the housing. The pan/tilt will include variable speed, receiver, and a slip ring for 360° panning operation. Units will come with a factory installed auto-focus, high-performance color camera with integral 18x optical zoom lens, and low lux in B&W mode. The receiver will be compatible with Videolarm’s VLC485 controller. Please check with the factory for other RS485/422 supported protocols. All models will be available in 24/120/220 VAC input voltage and will have a transformer to provide power for the blower and camera on the 120/220 VAC models. The input voltage for hardwire pan/tilt will be 24 VAC.

(Continued on next page)

CAMERA SPECIFICATIONS

- Resolution** - 470 TVL - NTSC, 460 TVL - PAL
- Image Sensor** - 1/4 type EXView HAD™ CCD
- Number of Effective Pixels** - Approx.. 380,000 pixels
- Lens** - 18X Zoom
f=4.1mm (wide) to 73.8mm (tele)
F1.4 to F3.0
- Digital Zoom** - 12X (216X with optical zoom)
- Angle of View** - 48° (wide end) to 2.7° (tele end)
- Minimum Working Distance** - 35mm (wide end), 800mm (tele end)
- Sync. System** - Internal/External (V lock)
- Minimum Illumination** - 0.7 lux (typical) (F1.4 normal shutter speed). With IR cut filter removed camera can achieve near infrared sensitivity
- S/N Ratio** - 50 dB
- White Balance** - Auto with manual override
- Gain Control** - Auto with manual override
- Iris Control** - Auto with manual override
- Backlight Compensation** - On/Off

ELECTRICAL SPECIFICATIONS (camera with hardwire pan/tilt)

Power Source (includes: heater, blower and camera)

- DDW10CR - 115 VAC
- DDW10CR2 - 24 VAC (Class 2)
- DDW10CR3 - 220 VAC

Power Consumption

- DDW10C - 65 vA, 0.6 Amps
- DDW10CR2 - 65 vA, 2.75 Amps
- DDW10CR3 - 65 vA, 0.3 Amps

Video Outputs - 1 Vpp/75 ohm composite video

ENVIRONMENTAL SPECIFICATIONS

Temperature Range -40° to 120° F

MODELS

DDW10CR - 10.5" diameter outdoor ballistic-rated dome housing with clear lower dome. Color camera with auto focus 18X zoom lens, 0.2 lux in B/W mode, 360° integral, pre-wired, variable speed pan/tilt (1-40° per second panning speed), 120 VAC heater and surge protector; factory installed transformer for blower and camera. Factory installed receiver compatible with VLC485 and other RS485/422 protocols.

DDW10CR2 - DDW10CR with 24 VAC heater, no transformer

DDW10CR3 - DDW10CR with 220 VAC heater

PDDW10CR - Pressurized ballistic-rated dome housing with clear lower dome. Color camera with auto focus 18x zoom lens, 0.2 lux in black and white mode. 360° integral, pre-wired, variable speed pan/tilt (1 - 40° per second panning speed). 120 VAC heater and surge protector. Factory installed transformer for blower and camera. Factory installed receiver compatible with VLC485 and other RS485/422 protocols.

PDDW10CR2 - PDDW10CR with 24 VAC heater, no transformer

PDDW10CR3 - PDDW10CR with 220 VAC heater

Add "E" to the end of the model number for PAL version

Note: Contact VIDEOLARM for pendant and surface mount versions

OPTIONS/ACCESSORIES

- PA2 - Roof top wall bracket,
- CA2 - Corner mount
- SCRW2000 - Roof top bracket
- SRM1500 - Side wall roof bracket
- P1600 - 16' pole
- PM3 - Existing pole bracket
- VLC2/VLC3/VLC36 - Hardwire controls (no receiver needed)
- VLC485 - RS-485 controller

SHIPPING SPECIFICATIONS

Model	Unit Weight	Shipping Weight	Shipping Box Dim.
DDW10CR	65 lb.	Call Manufacturer For Detailed Information	

* Shipping weights depend on box dimensions.