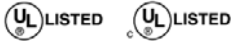


WALL AND CORNER HOUSINGS - BH8W



(Shown with optional KFL13 deterrent light kit)

CERTIFICATIONS



DESCRIPTION

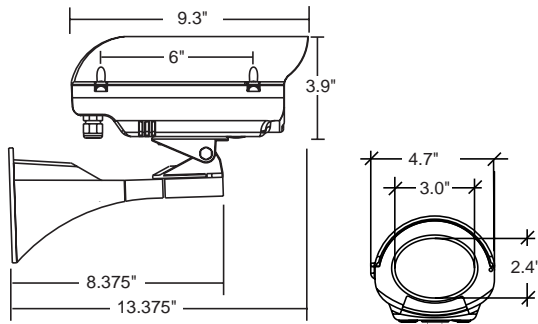
The BlackHawk™ is built for use indoors or in protected outdoor applications. Its sleek, discreet design makes it perfect for applications such as covered parking garages, overhangs, or covered walkways. The injection-molded polycarbonate housing features a high-impact polycarbonate viewing window. A locking camera sled allows a variety of camera sizes up to 8". A right-angle BNC connector is included with each unit to accommodate maximum camera lengths. A spacer is also included to lift the camera if needed. The unit includes a DECO1 decorative wall mount.

FEATURES

- Sleek, compact, attractive black plastic body
- Adjustable camera sled
- Easy access to camera and camera sled
- Complete with DECO1 decorative wall mount, pre-assembled
- Right-angle BNC connector and spacer included
- Optional 24 VAC heater
- Designed to meet CE/IP43 standards

ARCHITECTURAL/ENGINEERING SPECIFICATIONS

The housing shall be constructed of injection-molded polycarbonate and shall be intended for protected outdoor applications. The housing shall support CCTV cameras with a maximum camera length of 8". The housing top shall be secured to the housing with two 8-32 Phillips head screws with O-rings. The housing top shall flip open from the side and will allow access to the camera. The camera sled shall be designed with multiple positions for various camera body sizes and shall be secured when housing top is fastened tightly. The housing shall come with two liquid-tight fittings for cable access and two hole plugs. The viewing window shall be high-impact clear polycarbonate. A DECO1 decorative wall mount shall be included.



NOTE: MCL of 8" includes camera/lens and provided right angle BNC connector

MODELS

BlackHawk™ BH8W - An injection-molded, decorative polycarbonate housing. Includes clear polycarbonate viewing window, multi-position camera sled, and DECO1 decorative wall mount, shipped in one box.

BlackHawk™ BH8WH - BH8W with 24 VAC heater.

OPTIONS/ACCESSORIES

HTK24 - 24 VAC heater kit

KFL13 - 24 VAC flashing red light

SHIPPING SPECIFICATIONS

Model	Unit Weight	Shipping Weight	Shipping Box Dim.
BH8W	2 lbs	3 Grd/3 Air	13 x 9 x 7

* Shipping weights depend on box dimensions.