

STANDARD VANDAL RESISTANT HOUSINGS - ACEM20



DESCRIPTION

The ACEM20C is designed for surface mount applications. Constructed of 14-gauge steel, this low profile wedge housing is designed for unobtrusive viewing of a hallway or lobby area. The steel mounting plate that holds the outer housing cover is easy to install and service. The ACEM20C is the perfect housing in applications where a higher level of security is needed.

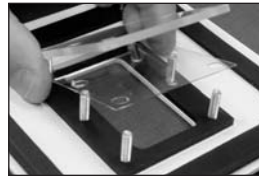
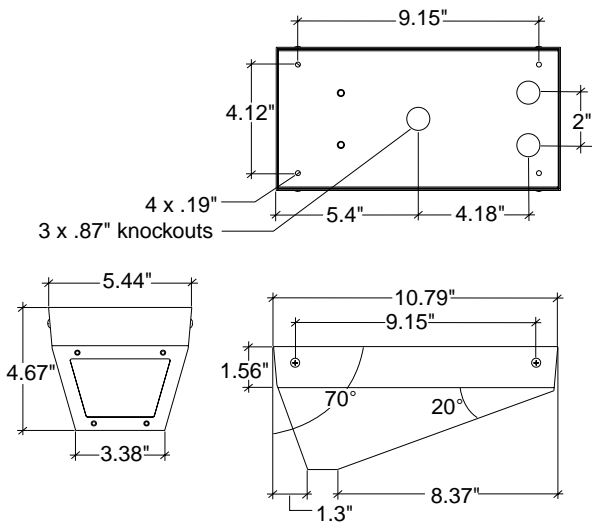
FEATURES

- Attractive design
- Easy surface mounting to any type of ceiling
- 3/16" polycarbonate window with 14-gauge steel body for maximum level of security
- Optional 24 VAC heater/thermostat for protected outdoor applications and for defogging the window
- Easy-to-replace Window Guard™ paint shield allows vandalized viewing window to be quickly and economically restored to clarity

ARCHITECTURAL/ENGINEERING SPECIFICATIONS

The body of the housing shall be constructed of 14-gauge steel, off-white powder coat, and contain a clear 3/16" polycarbonate window. An easy-to-replace Window Guard™ paint shield shall allow clarity of viewing window to be quickly and economically restored in case of vandalism. The base plate shall be 18-gauge steel, and shall contain three conduit knockouts on the bottom section and a 7/8" hole on the rear of the base plate for control and video cable. The housing cover shall be secured to the base plate with four stainless steel 8 x 32 security screws. An optional 24 VAC heater/thermostat is available for protected outdoor applications and for defogging the window.

7H
Indoor Vandal
Resistant Housings



Videolarm's exclusive Window Guard Paint Shield™ helps protect housing windows from vandals using spray paint or paintball guns.

MODELS

ACEM20C - Indoor/outdoor, surface mount, off-white powder coat 14-gauge steel ceiling wedge housing with clear 3/16" polycarbonate window with Window Guard™ paint shield.

ACEM20CH - ACEM20C with 24 VAC heater/thermostat

ELECTRICAL SPECIFICATIONS

Power Source - 24 VAC, 50/60 Hz

Heater - 24 VAC, 25 vA, 1.04 Amps

SHIPPING SPECIFICATIONS

Model	Unit Weight	Shipping Weight	Shipping Box Dim.
ACEM20C	2.2 lbs	3 Grd/3 Air	12 x 10 x 5

* Shipping weights depend on box dimensions.