

WEDGE HOUSINGS - ACE20



DESCRIPTION

The ACE20 is an attractive, low-profile surface mount unit. It's made of high-impact polycarbonate, with a viewing window made of the same sturdy material. The ACE20 is easy to install, and the molded-in hinge makes camera access easy as well. Tamper-resistant fasteners are included to protect the camera equipment from vandals. The camera bracket is fully adjustable, and allows the camera to be either top or bottom mounted.



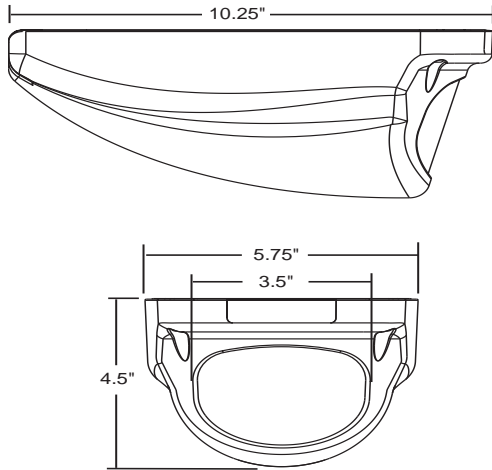
(Shown open)

FEATURES

- Off-white, high-impact polycarbonate housing and window
- Easy installation to any type of ceiling
- Tamper-resistant fasteners
- Molded-in hinge to allow easy access from below
- Fully adjustable camera bracket for top or bottom mounting
- Right-angle BNC connector included for longer length cameras
- Also available as a VideoKit™ model with camera

ARCHITECTURAL/ENGINEERING SPECIFICATIONS

The body of the ACE20C housing shall be constructed from high-impact off-white polycarbonate, and shall contain a clear polycarbonate viewing window. The base plate shall be polycarbonate, and shall contain three conduit knockouts on the bottom section for control and video cable. The housing cover shall be attached to the base plate, and secured with two tamper-resistant fasteners.



MODELS

ACE20C - Indoor, surface mount, off-white polycarbonate ceiling wedge housing with clear viewing window.

NOTE: MCL of 8" includes camera/lens and provided right angle BNC connector

SHIPPING SPECIFICATIONS

Model	Unit Weight	Shipping Weight	Shipping Box Dim.
ACE20	1 lb	2 lbs	13.5 x 8 x 6

* Shipping weights depend on box dimensions.